

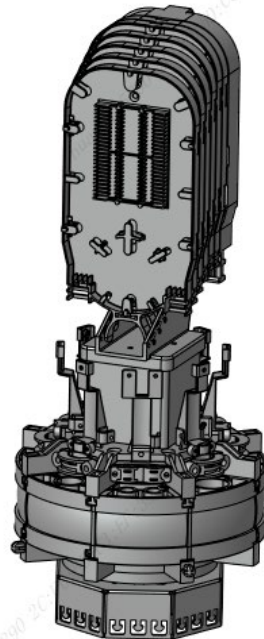
SA-FSC-3382 series Gel Sealing Fiber Optic Splice Closure Specification Ver 1.9

Description

SA-FSC-3382 Splice Closure is a dome closure with gel sealing, which are designed for all cable application environments such as duct, aerial, buried and man-hole. SA-FSC-3382 Splice Closure supports numerous functions as mid-span, branch and direct splice. Accommodated with flexible splice trays and various accessories are available for many scenarios. Rigorous tests are performed to approve the best quality for network reliability.

Features

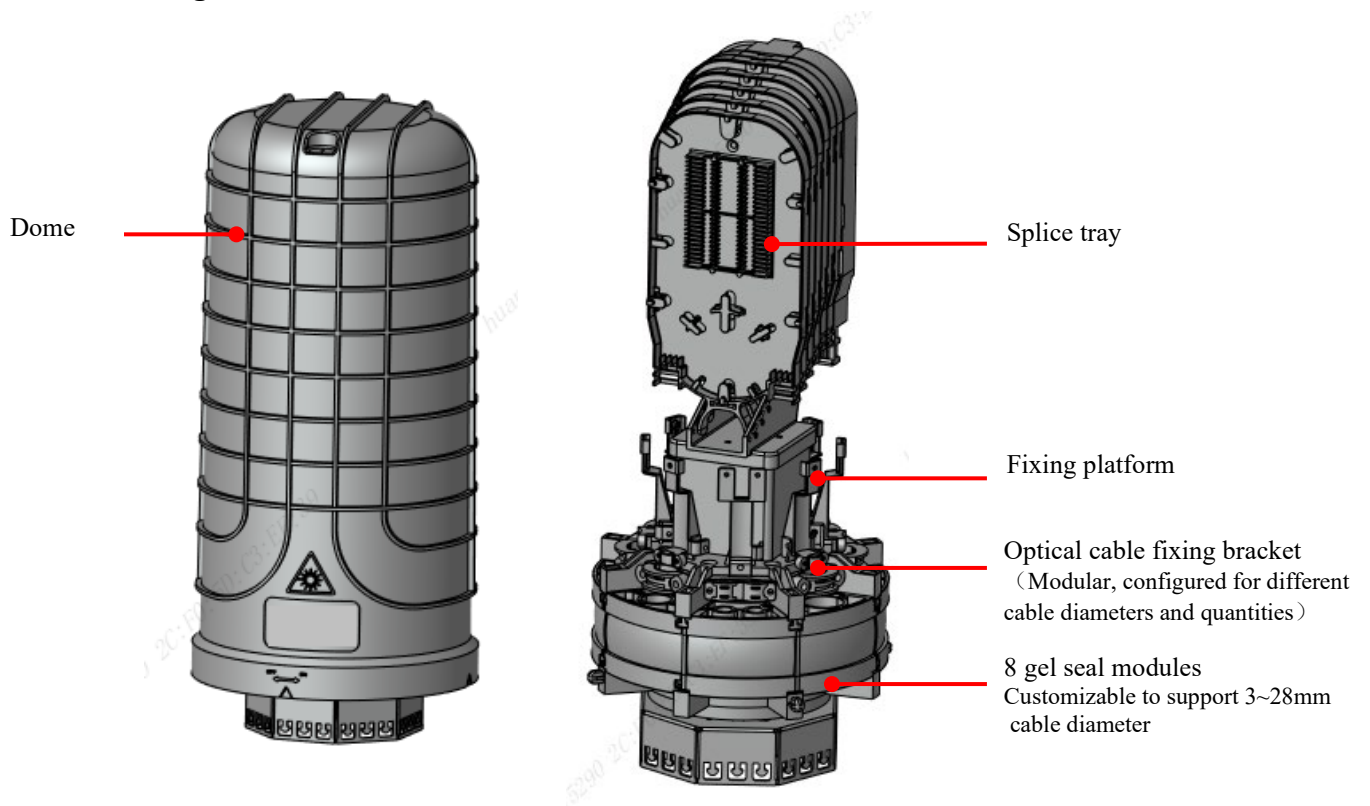
- Dome-base design structure with mechanical sealing
- High strength modified polypropylene material
- Mid span operation without cutting the cable
- Flexible grommets for universal standardized cables
- Splitter without connector could be configured inside
- Easy for re-entry and re-open
- Ideal fiber management design
- Protection level: IP68
- Gel seal



Specifications

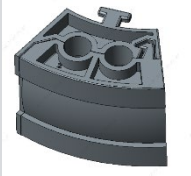
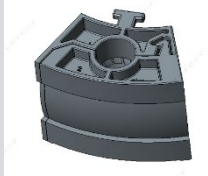



Technical Specification		
Style	Dome	
Dimensions(mm)	535 × Φ245	
Sealing Type	Gel Seal	
Protection Grade	IP68	
Cable ports	8	Gel Seal Module Support Φ3 – Φ28 mm
Closure Max Capacity	Single fiber splicing	288f
Splice Tray Capacity	Single fiber splicing per tray	48f
Max No. tray installed	6 pcs	
Color	Black	
Installation	Aerial, wall, pole, manhole etc.	

Structure Drawings



Accessory list

Standard accessories (Picture for reference)

Item	$\phi 3-\phi 11$ (mm)	$\phi 11-\phi 21$ (mm)	$\phi 21-\phi 28$ (mm)
Gel seal module			
Optical cable fixing bracket			

Packaging Information

TBD

Ordering Information

TBD



Provided by: Mega Hertz | 800-883-8839 | info@go2mhz.com | www.go2mhz.com

<https://www.go2mhz.com/product/gel-sealing-fiber-optic-splice-closure/>