

Provided by: Mega Hertz | 800-883-8839 | [info@go2mhz.com](mailto:info@go2mhz.com) | [www.go2mhz.com](http://www.go2mhz.com)

10  
PART TEN

*SureAlign* Drop In Place Pads

# Current Market Solutions

- Pour in Place or Precast Cement Composite:
  - Long install/cure time, Long lead times, Requires lift, & Limited life



# Market Needs... A Drop-In Solution

Is there a single pad that fits multiple vendor cabinets?

Why can't a pad ship with the cabinet?

I need better shipping cost per unit!

I need a customizable pad!

I need to save space and install faster!

I need a strong yet light weight pad that will last a lifetime!



!

# New “Drop-In” Solution...

## Available

- Green & mass produced
- On-Hand availability

## Strong

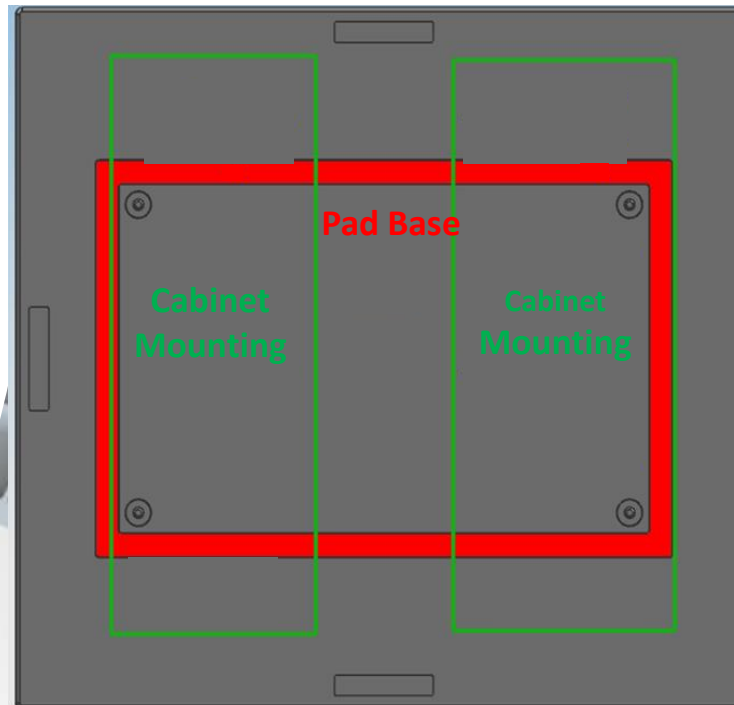
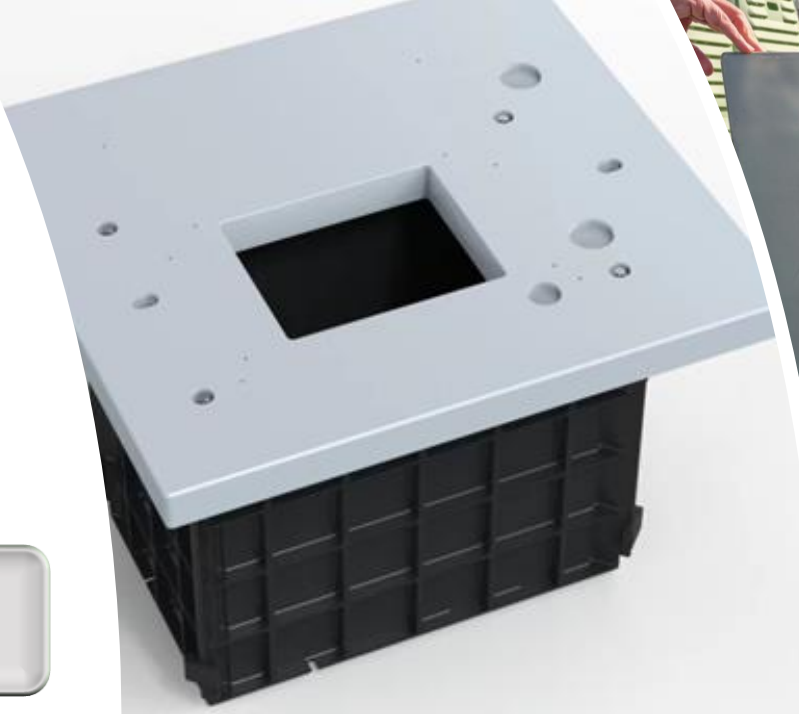
- Stronger than metal, last 50+ yrs.
- Will not degrade or deform

## Light Weight

- Less shipping, space & weight
- Lower install cost, 1 person only

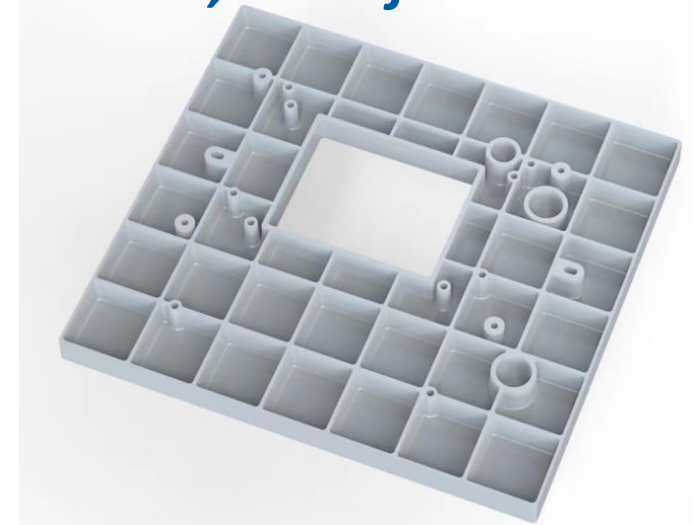
## Customizable

- Tool specific or post-production
- Local contractor



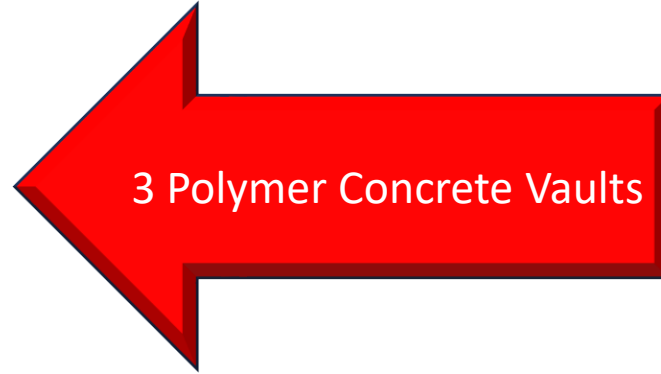
# SureAlign Drop-In Place Pads with Base

- Off the shelf... *no waiting for cure time, no erosion issues*
- Light & Robust... *No lift, No eyelet grinding, One person install*
- Environmental resistant... *will not degrade or crack, 50+ yr. life*
- Protect your power investment... *lock your cabinet down & store cable*
- Modularity approach... *Repair / Replace parts only as needed, store flat*

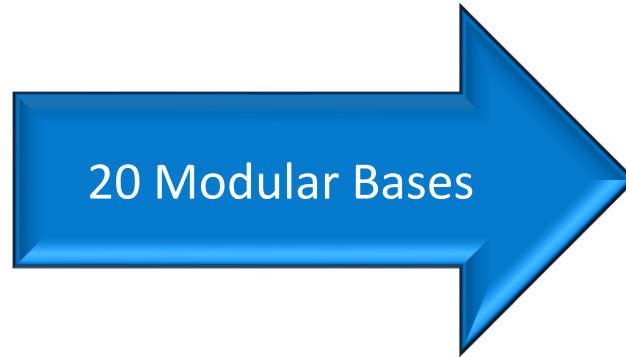


Vault modularity & Drop-In Pads = *Low Cost, Low Touch, Long Life*

# SureAlign Modular Handhole



VS.

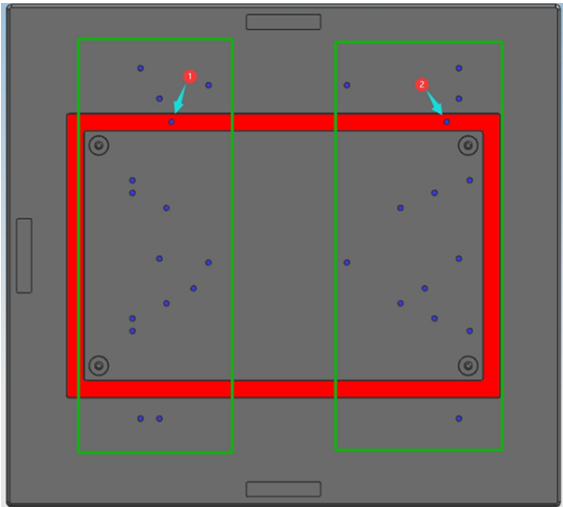


# Easy to install a cabinet on this generic Pad

Drill pilot holes for cabinet mounting

Use hole saw for conduit access inside the vault pattern

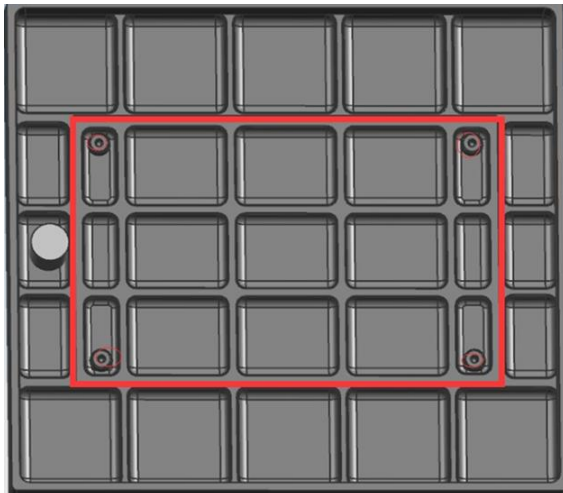
Use hole saw for power access if needed outside the vault



## Top view of Pad

Red outline is the vault pattern.

Small circles are template locations of multiple vendor power cabinets



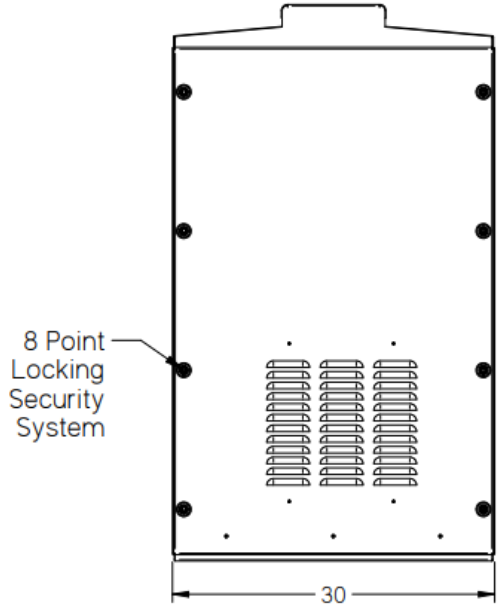
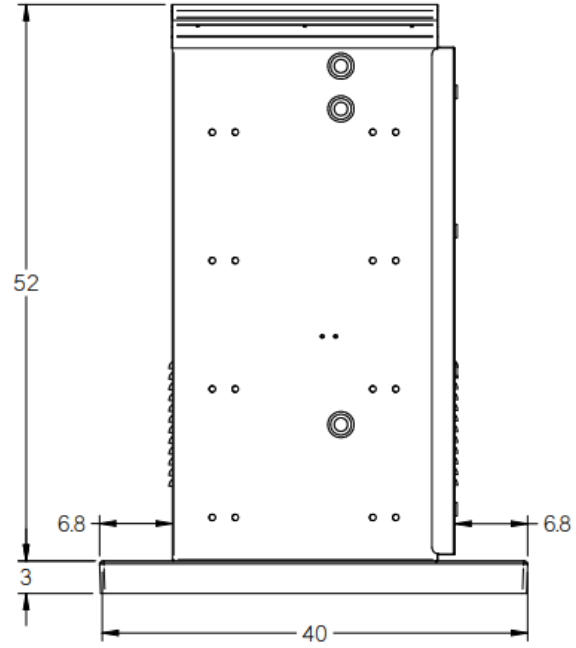
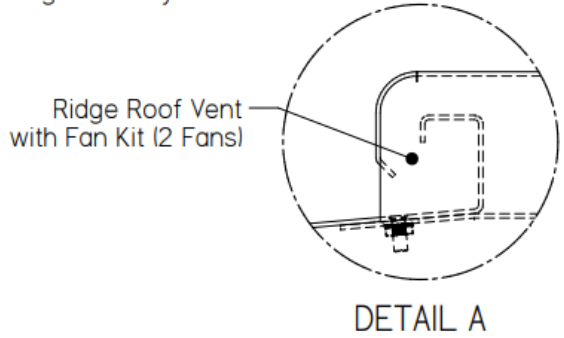
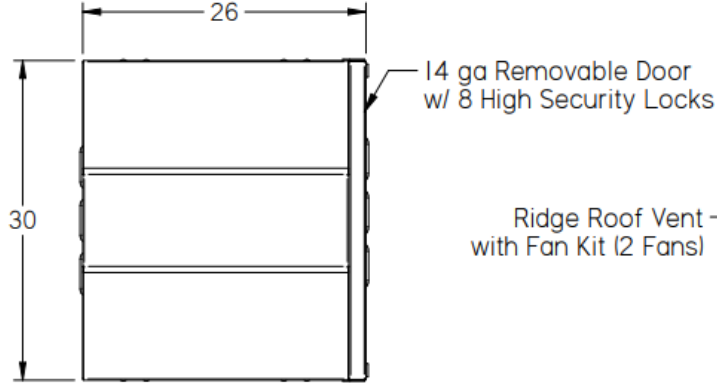
## Bottom view of Pad

Red outline is the vault pattern.

Note 3" power hole between vault and pad edge.



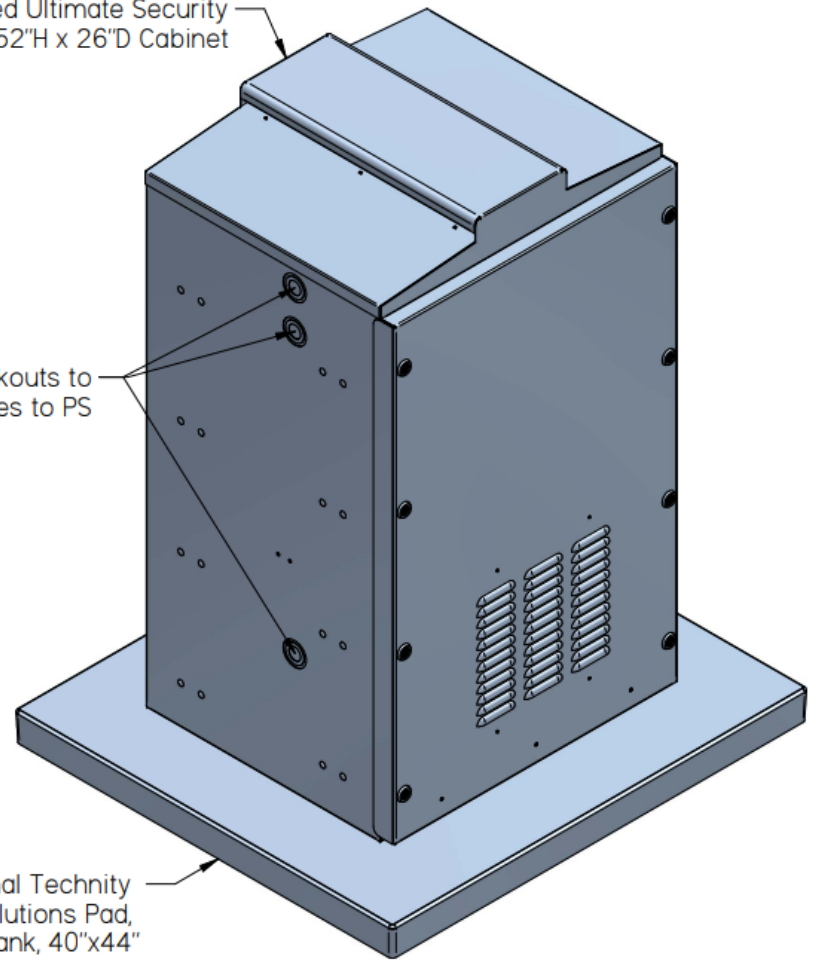
# Moore CP Battery Cabinet-Pad



Fully Welded Ultimate Security  
30"W x 52"H x 26"D Cabinet

3-Way Knockouts to rout cables to PS

Optional Technity Solutions Pad, Blank, 40"x44"

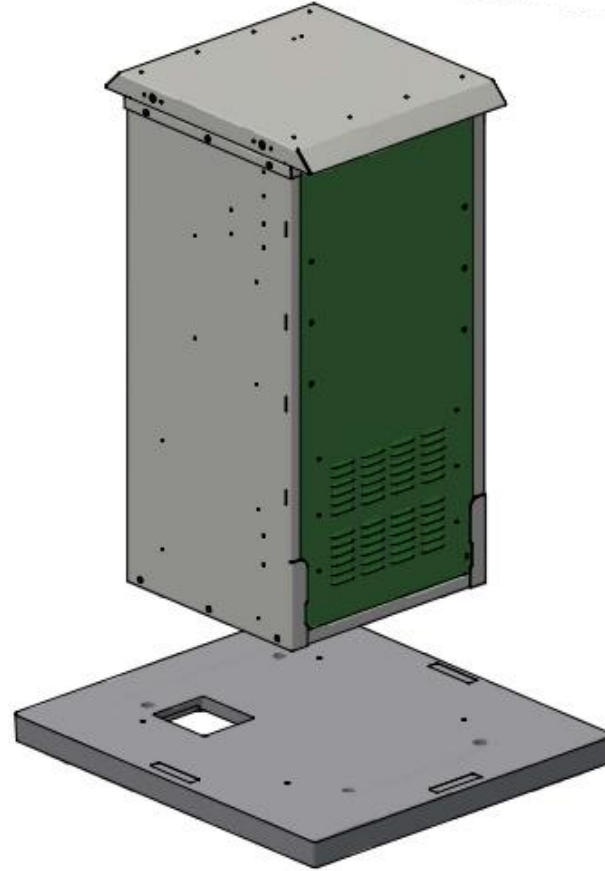
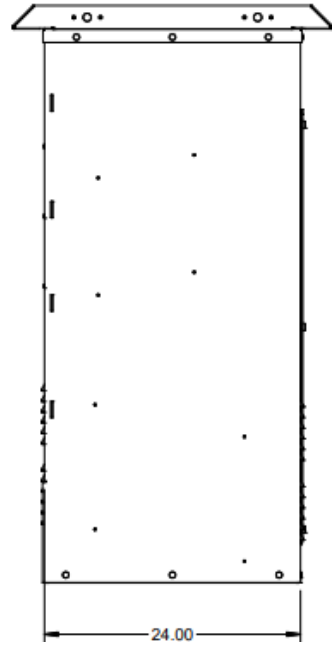
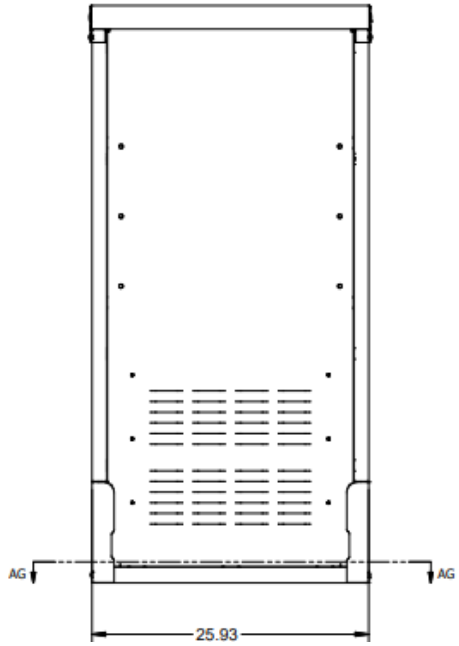
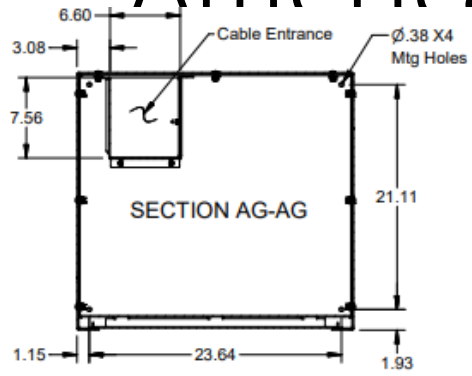


ESTIMATED NET WEIGHT: 310 LBS

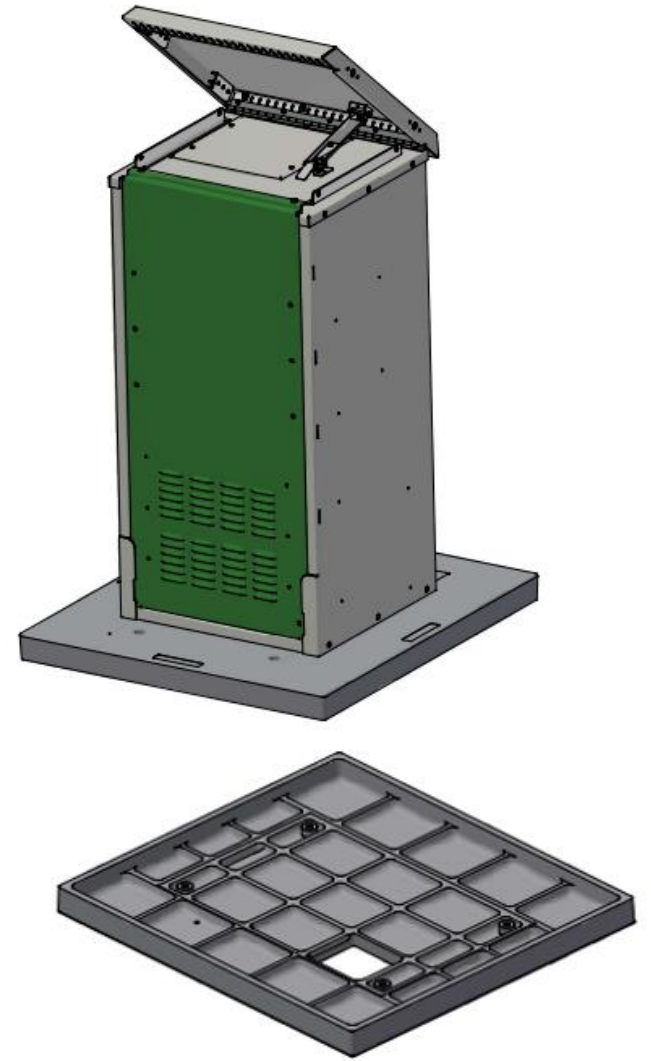


# American Products Power & Pad

**AM-522624-HSPN**  
**Pad Layout**



**EXPLODED VIEW**



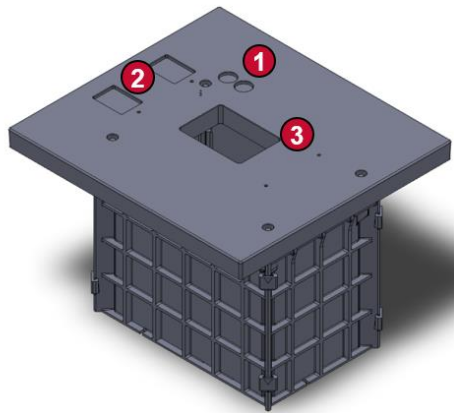
**BOTTOM OF PAD VIEW**

# Generic Pad-Base or Custom Tools for Alpha

## SKU 1

COMPATIBLE WITH UPE-3/6 AND UPE-4/8

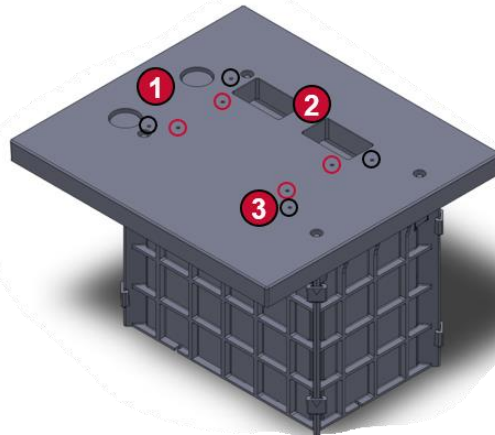
- 1 Conduit knockouts for rear coax raceway
- 2 Knockouts for meter assembly and service entrance
- 3 8" x 11.5" cutout



## SKU 2

COMPATIBLE WITH PN-3/4 AND UPE-M3/6

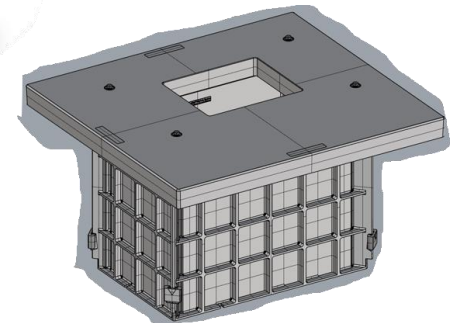
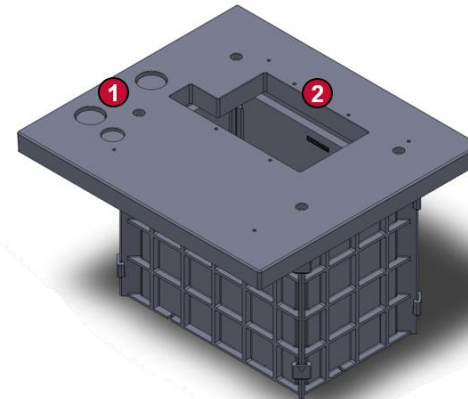
- 1 Knockouts for meter assembly and service entrance
- 2 (2) 8" x 4.5" for PN series access and rear UPE-M access
- 3 Mounting provisions for PN and UPE-M series



## SKU 3

COMPATIBLE WITH FPE

- 1 Knockouts for meter assembly and service entrance
- 2 Cutout for access



## SKU 4

COMPATIBLE WITH FBE, FAE, AND RMB. BLANK PAD FOR FIELD PREP.

- 1 Blank pad on top of 17x30 base vault
- 2 40x44" Pad, 8.5" x 11" cutout or blank

# SureAlign Drop-In Pad Details

- Base: **Released** Generic Pad: **Tool production ready May 20<sup>th</sup>**
- MOQ Pad/Base: **20 units on 3 pallets, 340 units per 40ft. container**
- Accessories: **Pad/Base Bolts, Cabinet Lag Bolts, Base Chips, Template**
- Standard Leadtime: **8-10 weeks**, expedite available.
- Additional tools can be provided in **45 days**.
- Cabinet specific tools can be provided for high volume apps.
- Additional Vault with Lid solutions available