

SA-NID-840 Fiber Optical Splice Closure Specification

1. Description:

The SA-NID-840 (Drop Termination Closure) offers a compact size and a rugged exterior that is designed to allow for installation in tight spaces without compromising functionality. Four corner ports provide flexibility during installation. The SA-NID-840 is ideal for quick restoration of damaged or cut fiber service drops or last mile FTTH applications.

2. Features:

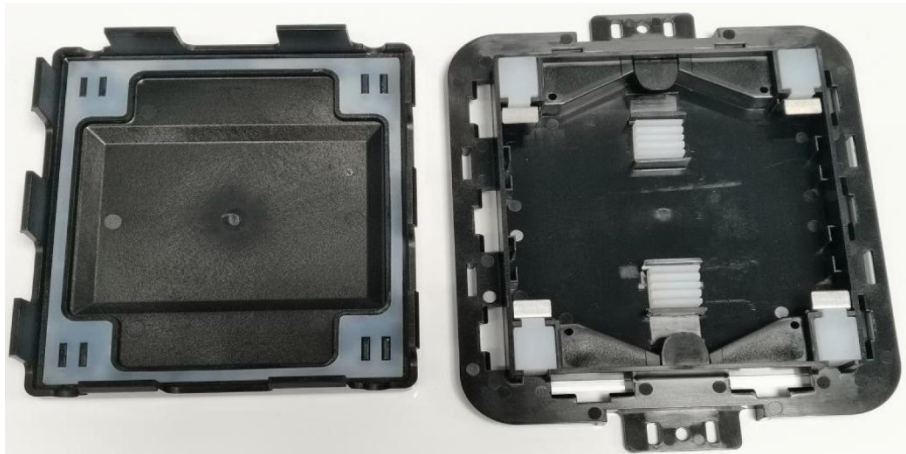
2.1 Utilizes the Fuse tray Splice Block System which permits single fusion, mass fusion, mechanical, PLC splitters, or a combination of all within one closure

2.2 Factory-installed gasket allows re-entry and re-use

2.3 Internal organizer manages buffer tube or ribbon cables

2.4 Snap together design is quick to assemble, no special tools required

2.5 Designed and tested in accordance with Telcordia" GR-771-CORE Underground, Aerial, Wall Pedestal or Pole, IP-68 Rated Requirements

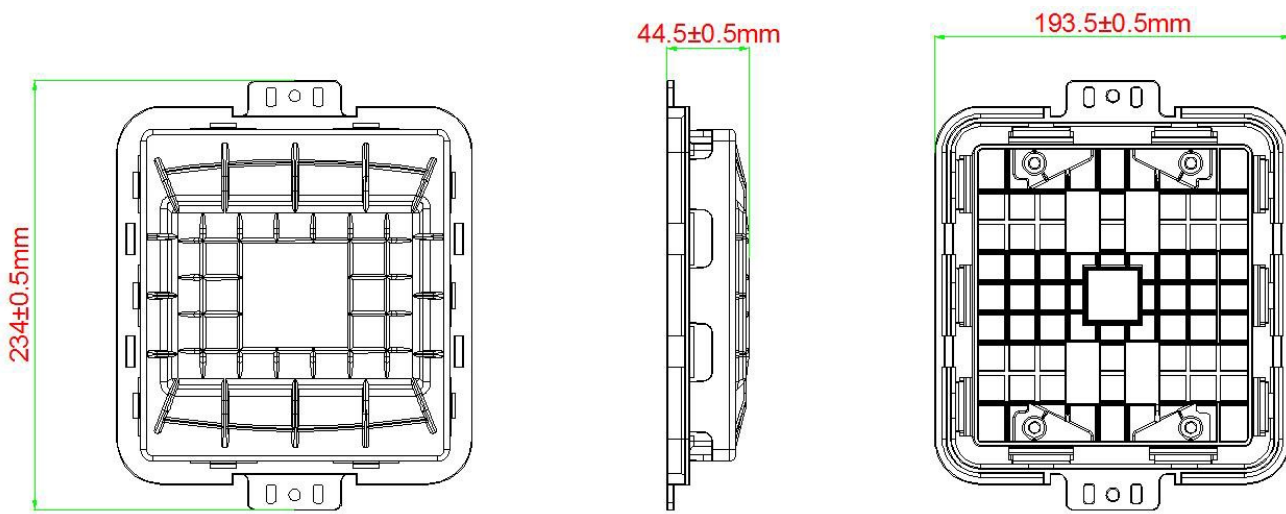


3. Specifications

Part Number	SA-NID-840
Dimensions	234*193.5*44.5 mm
Color	Black
Material	PC

Splice Capacity	Single Fusion (Maximum)	24
	Mass Fusion (Maximum)	96
Cable Ports		4
Cable Diameters	4.3 -- -9.4mm, Flat Drop, and ROCT Drop Cable Installation	
Configuration	In-Line or Butt	
Application	Direct Bury, Below Grade, Pole/Wall, Aerial	
Ingress Protection	In accordance with Telcordia"GR-771-CORE, Buried, Underground, IP-68	

4. Dimensions Drawing:



5. Order Information

Technity P/N	Description
SA-NID-840	IP68 grade simple Drop Terminal Closure, 4 fiber ports, provide 24 single fusion fiber splice.

Provided by: Mega Hertz | 800-883-8839 | info@go2mhz.com | www.go2mhz.com

<https://www.go2mhz.com/product/fiber-optical-splice-closure/>