

SA-FSIC-5412

Fiber Splice Closure with Internal Connector SPEC

Description

SA-FSIC-5412 is an 8F terminal box which used as a termination point for the feeder cable to connect with drop cable in FTTH network system. It is designed to seal without screws. The compact size and flip-over cover bring easy operation as well as multi-purpose application. It could be installed in aerial, wall, pole mounted mode.

Feature

- Compact design, light weight and easy installation.
- Made by high quality material (PP+GF) and meet 120 hours salt spray
- Build in one splice tray (24F), max capacity up to 24F
- Applicable for 1pcs of uncut cable and 8pcs of drop cable.
- Support micro splitter (1:8) and 8 pcs SC/APC adaptors
- Waterproof level: IP68
- Installation method: Pole mounting, Wall mounting, Aerial mounting



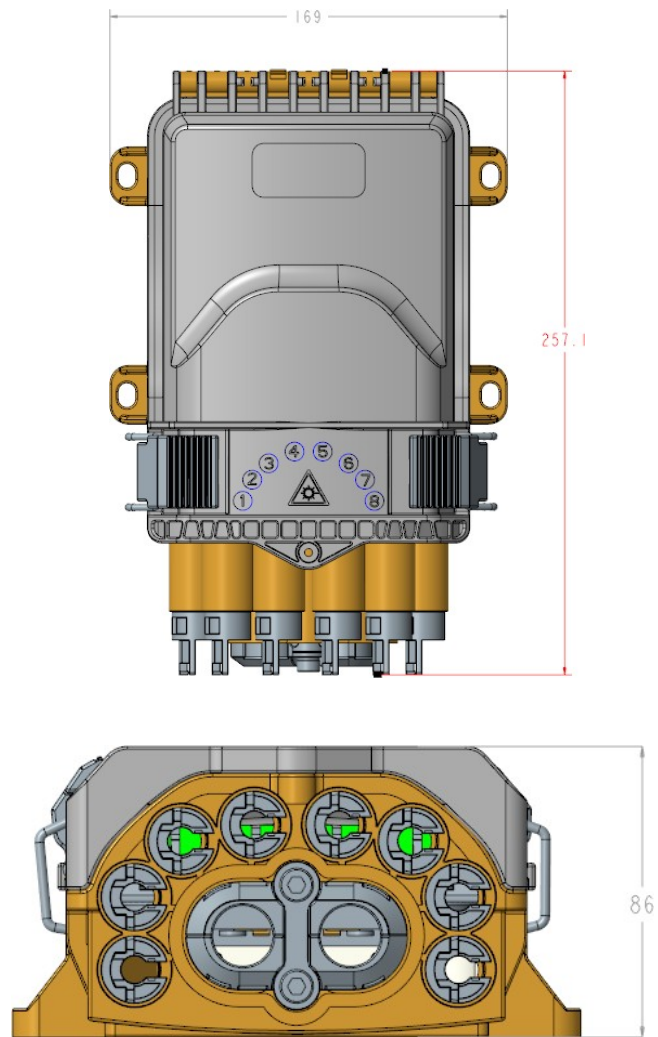
Specification

Part Number	SA-FSIC-5412
Size(mm)	256*169*86
Gross Weight(kg)	1.4
No of Cable Entry	1 un-cut cable, $\Phi 10\text{mm} \sim 17.5\text{mm}$
No of Drop Cable	8 pcs drop cable, $\Phi 4*7\text{mm}$ or $\Phi 3-8\text{mm}$ round cable
Adapter	8 pcs SC/APC
Splitter	1:8 Micro splitter
Splice Tray	24F
Max Capacity	24F
Water proof level	IP68
Installation Method	Pole/Wall/ Aerial mounted
Operation temperature	$-45^{\circ}\text{C} \sim 85^{\circ}\text{C}$

Product appearance



Product Dimension

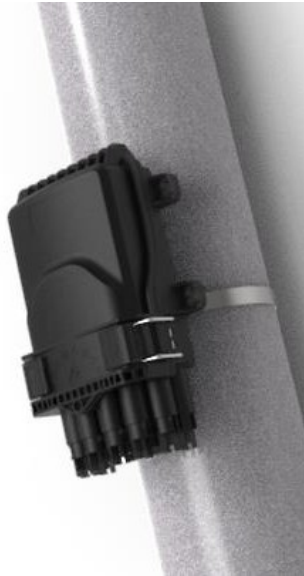


Application scenario

Aerial installation



Pole mount installation





Wall mount installation





Accessories

Based on different fiber cable diameter, the below two different grommet size could be selected by customer.

No	Inner diameter	Picture	Suitable for fiber cable
1	Φ15mm~17.5mm		Φ15mm~17.5mm
2	Φ10mm~15mm		Φ10mm~15mm

Based on different drop cable diameter, the below different grommet also could be selected by customer.

No	Inner diameter	Picture	Suitable for drop cable
1	Φ4*7mm		Φ4*7mm cable
2	Φ3-8mm		Φ3mm~8mm round cable

One 1:8 min PLC is available to install in the splice tray. The basic specification is as follows:

Parameter		Unit	Value						
Operating Wavelength		nm	1260~1650						
Product type			1×2	1×4	1×8	1×16	1×32	1×64	1×128
Insertion loss	Max	dB	3.9	7.2	10.3	13.5	16.8	20.5	23.5
Uniformiry	Max	dB	0.6	0.6	0.8	1	1.5	1.8	2
PDL		dB	0.2	0.2	0.3	0.3	0.3	0.4	0.4
TDL		dB	0.5	0.5	0.5	0.8	0.8	1	1
Return loss		dB	≥55(APC type connectors) / 50(UPC type connectors)						
Directivity		dB	≥55						
Operating&Storage		℃	-40 ~ +85						
Packaging size		mm	60*7*4	60*7*4	60*7*4	60*12*4	80*20*6	100*40*6	120*50*12

Order Information

SA-FSIC - - -

FSIC TYPE:

- 4. Hard Conn.
- 5. Internal Connector

Fiber Splice Count:

- 3. 12 Fiber
- 4. 24 Fiber
- 5. 72 Fiber
- 6. 96 Fiber

Port Count: Oval + Round

- 1. 1 Oval
- 2. 1 Oval + 2 Branch
- 3. 3 in + 3 out 15mm cable

Drop Ports:

- 1. 4
- 2. 8
- 3. 12
- 4. 16

Optional Splice Tray Count:

- 0. Standard
- Use 1 digit for desired number

Optional Mounting Kit:

- 0. None
- 1. Wall Mount (Vault/Ped)
- 2. Pole Mount
- 3. Aerial Mount

Optional Splitter:

- 0. None/Direct
- 1. 1:2 Micro
- 2. 1:4 Micro
- 3. 1:8 Micro
- 4. 1:16 Micro

e.g. SA-FSIC-5412-13A

Description: Fiber Splice Closure with Internal Connector, 256*169*86 mm, IP68 grade, 1 oval port, 1*24F fiber splice capacity. 8 ports for drop cables. Selection of 1:4/1:8 micro PLC splitter. With Wall Mount Kit, 1:8 Micro Splitter and 8 SC/APC ports.

Provided by: [Mega Hertz](https://www.go2mhz.com) | 800-883-8839 | info@go2mhz.com | www.go2mhz.com

<https://www.go2mhz.com/product/fiber-splice-closure-with-internal-connector/>