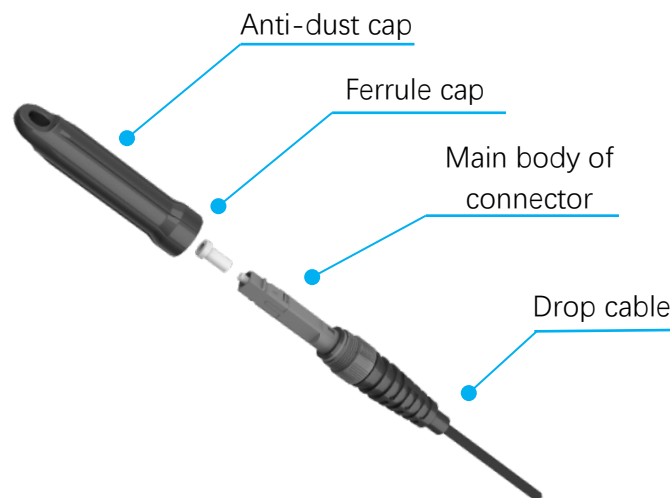


## SA-FCD-MF8-ISCA Figure-8 Drop Cable with Hardened Connector

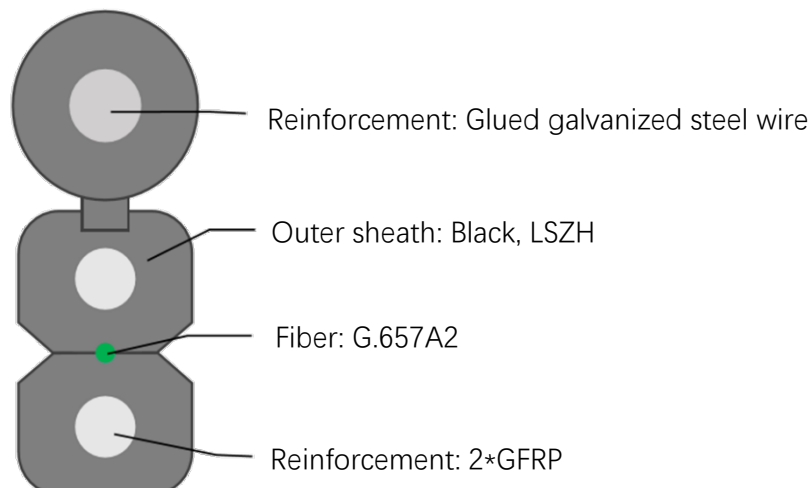
With the connector pre-installed in factory, the pre-connectorized Figure-8 drop cable can effectively improve the efficiency of construction, enhance the reliability of the FTTH optical cable network, reduce man-made construction failures, save on-site installation costs, and greatly reduce subsequent maintenance costs, effectively saving the costs of the FTTH system for users.

### Features

- Match 3 types of joints
- Convenient operation, quick installation
- With the connector pre-installed in factory, saving the field installation & disassembly time
- Excellent anti-UV, anti-corrosion performance
- Support aerial and underground installation
- Protection level: IP68



### Structure

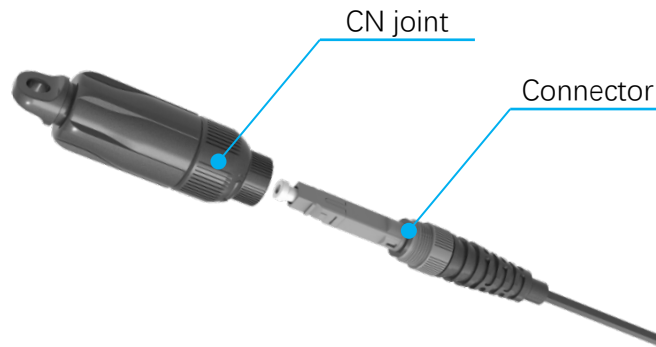


**Specifications**

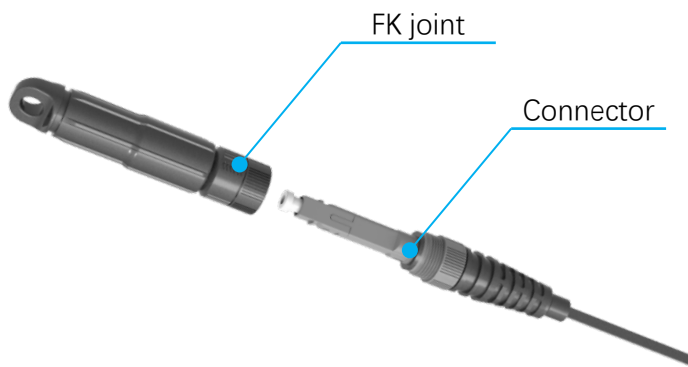
Item	Description
Fiber type	G.657A2
Insertion loss (dB)	≤0.3
Return loss (dB)	≥60
Connector type	SC/APC
Coefficient of kinetic friction	≤0.25
Working temperature (°C)	-25~+75
Storage temperature (°C)	-25~+75

**Assembly of 3 types of joints**

Type I: V3 connector with CN joint



Type II: V3 connector with FK joint



Type III: V3 connector with HW joint

