

FTTX Terminal Box Introduction



Features

1. High compatibility: can be assembled different fiber adapter.
2. Factory pre-installation or field installation
3. Strong enough: working under 1200N pulling force long term.
4. From 2 to 12 ports for single or multi fiber connectors.
5. By installed PLC or optical fiber fusion to connect.
6. IP68 waterproof rating(3M,72hour).
7. Wall-mounting, Aerial Installation or Holding Pole Installation.
8. Decreased angle surface and height make sure no connector interfering when operating.
9. According to IEC 61753-1 .
10. Cost effective: save 40% operating time.

Specification

Dimensions(LxWxH)	225x120x85mm (2/4core)	305x120x85mm (6/8core)	416x120x85mm (12core)
Materials	PC		
Waterproof Grade	IP68 (3M,72hour).		
Temperature Range	-40 ~ +80°C		
Cable Strength Member	Armoured or Non-armoured		
Cable Yype	Hybrid or non-hybrid		
Round Cable OD	6.0mm to 12.0mm		
Flat Cable Dimension	4.0x7.0mm,4.0x8.0mm		
Cable Jacket Material	LSZH,PE or TPU		
Bending Radius	20D		
Cable Crush Resistance	500N/cm long term		
Tensile Strength	1200N long term		
UV Resistance	ISO 4892-3		
Fire Protection Rating	UL94-V0		
Number of PLC	1pc (SC 1*4 PLC)	1pc (SC 1*8 PLC)	1pc (SC 1*12 PLC)
	1pc (LC 1*8 PLC)	1pc (LC 1*16 PLC)	1pc (LC 1*24 PLC)
Number of Fusion Protection Tube	≤ 24 pcs		

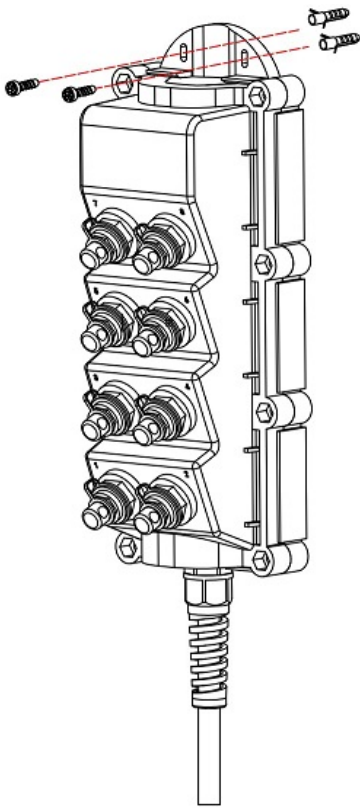
Application

Designed for outdoor enclosures, pedestals, and equipment racks, the Fiber Distribution Terminal Assembly supports up to 16 MST fibers. Waterproof and designed for performance and durability.

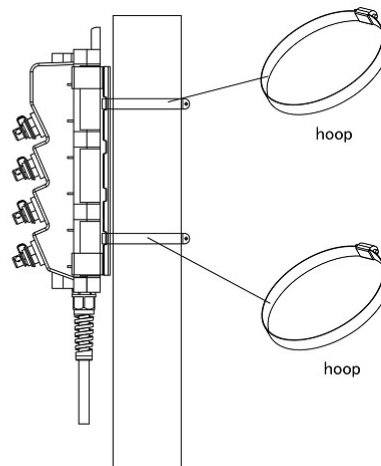
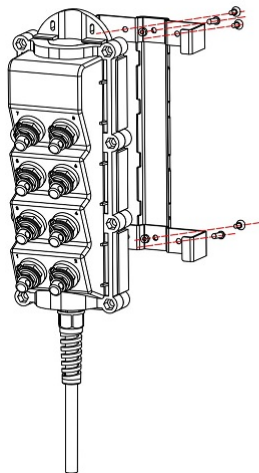
- Compact Design - Slim body design accommodates up to 16 MST fibers
- Factory pre-installation: 100% tested for easy field installations
- Outdoor/Rugged Design - Installs quickly in outdoor enclosures, pedestals, and equipment racks
- Tunable - Copper conductor for easy cable location in underground applications (non-tunable available)

Installation Kits

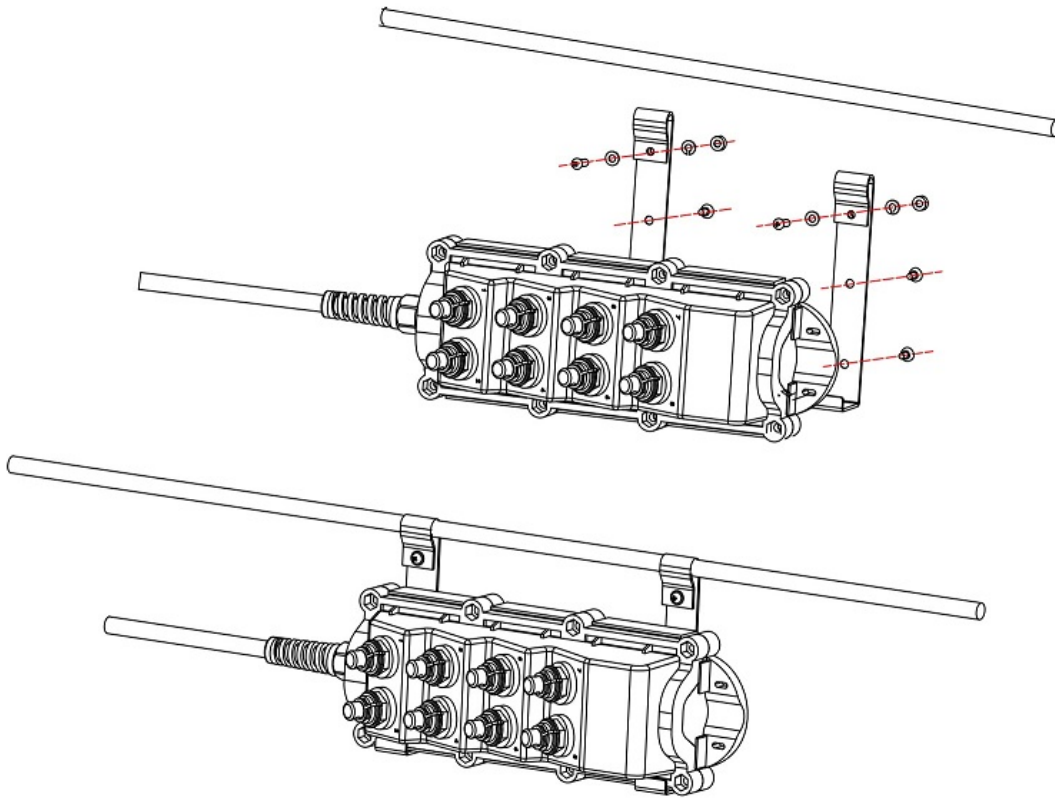
1. (SA-MST-XIK-XX) Installation Kits used for Aerial installation, Holding Pole or Wall-Mounting Installation:



Wall-Mounting Installation Application



Holding Pole Installation Application



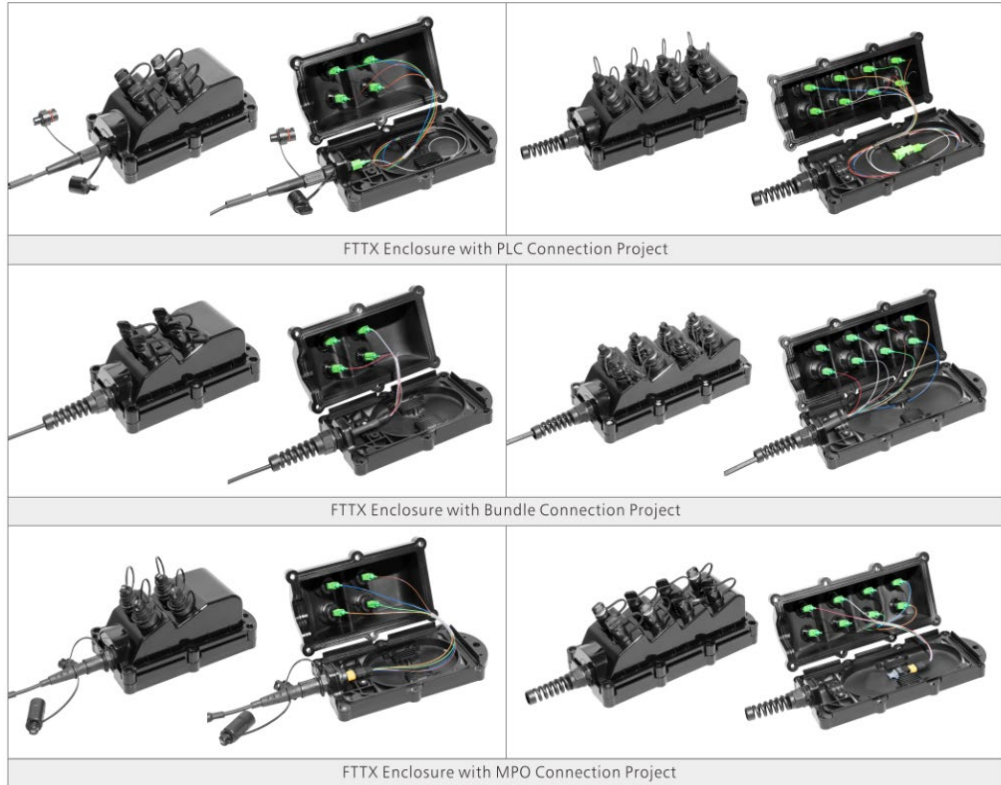
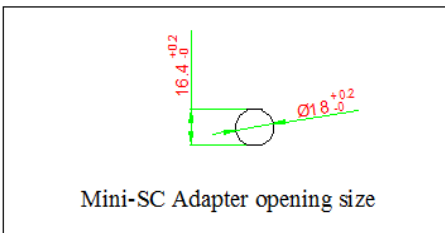
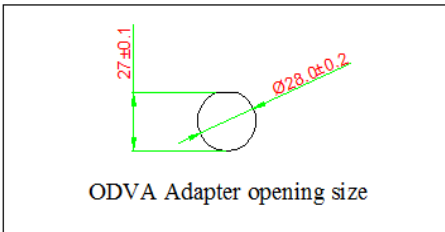
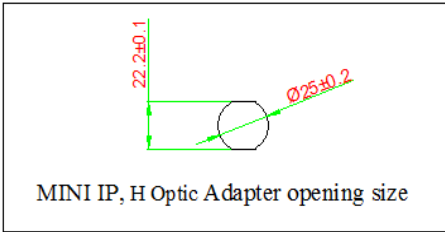
Aerial installation Application

- 2. (SA-MST-SAIK-XX)Special Aerial Installation Kits for Resistance to wind, snow and freezing;



Input and output Connector Configuration

	Standard	Optional
Input type	PG13.5	Hoptic, Mini SC, MINI IP, Optitap
Output type	H Optic, Mini SC, MINI IP, Optitap	Hoptic, Mini SC, MINI IP, VA , Optitap
Extend type	Closed	Hoptic, Mini SC, MINI IP , Optitap



Ordering Information

FTTx Terminal Box product is high customized products, the ordering information just be used as the reference for customer order:

1. FTTx Terminal Box with PLC splitter:

1.) Input and output are all connectors;

No.	P/N	Product Description
1	SA-SPT-104-TAPCSCA	1x4 Splitter terminal with external MINI IP Optitap compatible ports, input port with Optitap compatible ports too, load with 5 PCS MINI IP SC Adapter , inside is PLC Splitter with SC/APC connector
2	SA-SPT-106-TAPCSCA	1x6 Splitter terminal with external MINI IP Optitap compatible ports, input port with Optitap compatible ports too, load with 7 PCS MINI IP SC Adapter , inside is PLC Splitter with SC/APC connector

3	SA-SPT-108-TAPCSCA	1x8 Splitter terminal with external MINI IP Optitap compatible ports, input port with Optitap compatible ports too, load with 9 PCS MINI IP SC Adapter , inside is PLC Splitter with SC/APC connector
4	SA-SPT-112-TAPCSCA	1x12 Splitter terminal with external MINI IP Optitap compatible ports, input port with Optitap compatible ports too, load with 12 PCS MINI IP SC Adapter , inside is PLC Splitter with SC/APC connector

2.) Input is drop cable and output are all connectors;

No.	P/N	Product Description
1	SA-SPT-104-TAPP010BF	1x4 splitter terminal with external MINI IP Optitap compatible ports, input load with 100 feet (31m) of stubbed flat drop cable, SM G657A2 PE jacket ,inside PBT tube with 250u bare fiber; Output load with 4 PCS MINI IP SC Adapter, inside is fiber direct connection
2	SA-SPT-106-TAPP010BF	1x6 splitter terminal with external MINI IP Optitap compatible ports, input load with 100 feet (31m) of stubbed flat drop cable, SM G657A2 PE jacket ,inside PBT tube with 250u bare fiber; Output load with 6 PCS MINI IP SC Adapter, inside is fiber direct connection
3	SA-SPT-108-TAPP010BF	1x8 splitter terminal with external MINI IP Optitap compatible ports, input load with 100 feet (31m) of stubbed flat drop cable, SM G657A2 PE jacket ,inside PBT tube with 250u bare fiber; Output load with 8 PCS MINI IP SC Adapter, inside is fiber direct connection
4	SA-SPT-112-TAPP010BF	1x12 splitter terminal with external MINI IP Optitap compatible ports, input load with 100 feet (31m) of stubbed flat drop cable, SM G657A2 PE jacket ,inside PBT tube with 250u bare fiber; Output load with 12 PCS MINI IP SC Adapter, inside is fiber direct connection

2. FTTx Terminal Box with 4~12 Ct drop cable input and 4~12 connector as output;

No.	P/N	Product Description
1	SA-DCT-104-TAPP100DF4C	Fiber Direct Connection Terminal with 1000 feet dielectric flat drop tail 250um fiber gel tube input drop cable and output are 4 Ports with MINI IP SC/APC Adapter
2	SA-DCT-106-TAPP100DF6C	Fiber Direct Connection Terminal with 1000 feet dielectric flat drop tail 250um fiber gel tube input drop cable and output are 6 Ports with MINI IP SC/APC Adapter
3	SA-DCT-108-TAPP100DF8C	Fiber Direct Connection Terminal with 1000 feet dielectric flat drop tail 250um fiber gel tube input drop cable and output are 8 Ports with MINI IP SC/APC Adapter
4	SA-DCT-112-TAPP100DF12C	Fiber Direct Connection Terminal with 1000 feet dielectric flat drop tail 250um fiber gel tube input drop cable and output are 12 Ports with MINI IP SC/APC Adapter
5	SA-DCT-104-TAPP100TF4C	Fiber Direct Connection Terminal with 1000 feet 4ct tunable flat drop cable stub and output are 4 Ports with MINI IP SC/APC Adapter
6	SA-DCT-106-TAPP100TF6C	Fiber Direct Connection Terminal with 1000 feet 4ct tunable flat drop cable stub and output are 6 Ports with MINI IP SC/APC Adapter
7	SA-DCT-108-TAPP100TF8C	Fiber Direct Connection Terminal with 1000 feet 4ct tunable flat drop cable stub and output are 8 Ports with MINI IP SC/APC Adapter
8	SA-DCT-112-TAPP100TF12C	Fiber Direct Connection Terminal with 1000 feet 4ct tunable flat drop cable stub and output are 12 Ports with MINI IP SC/APC Adapter

3. Installation Kits:

1.) Generic Installation Kits used for Aerial installation, Holding Pole and Wall-Mounting Installation;

No.	P/N	Product Description
1	SA-MST-XIK-24	2/4 Ports Terminal Box Generic Installation Kits used for Aerial installation, Holding Pole or Wall-Mounting Installation, X can be A, P or W for Aerial installation, Holding Pole or Wall-Mounting Installation
2	SA-MST-XIK-68	6/8 Ports Terminal Box Generic Installation Kits used for Aerial installation, Holding Pole or Wall-Mounting Installation, X can be A, P or W for Aerial installation, Holding Pole or Wall-Mounting Installation
3	SA-MST-XIK-12	12 Ports Terminal Box Generic Installation Kits used for Aerial installation, Holding Pole or Wall-Mounting Installation, X can be A, P or W for Aerial installation, Holding Pole or Wall-Mounting Installation

2.) Special Aerial Installation Kits for Resistance to wind, snow and freezing;

No.	P/N	Product Description
1	SA-MST-SAIK-24	2/4 Ports Terminal Box Special Heavy Duty Aerial Installation Kits for Resistance to wind, snow and freezing
2	SA-MST-SAIK-68	6/8 Ports Terminal Box Special Heavy Duty Aerial Installation Kits for Resistance to wind, snow and freezing
3	SA-MST-SAIK-12	12 Ports Terminal Box Special Heavy Duty Aerial Installation Kits for Resistance to wind, snow and freezing

Provided by: Mega Hertz | 800-883-8839 | info@go2mhz.com | www.go2mhz.com

<https://www.go2mhz.com/product/ftx-terminal-box/>