

# PRODUCT MODEL NUMBER: TL-9508B TUNER TO IP GATEWAY



## DISCLAIMER

No part of this document may be reproduced in any form without the written permission of the copyright owner. The contents of this document are subject to revision without notice due to continued progress in methodology, design and manufacturing. TRANSLITE GLOBAL LLC shall have no liability for any error or damage of any kind resulting from the use of this document.

## COPY WARNING

This document includes some confidential information. Its usage is limited to the owners of the product that it is relevant to. It cannot be copied, modified, or translated in another language without prior written authorization from TRANSLITE GLOBAL LLC.

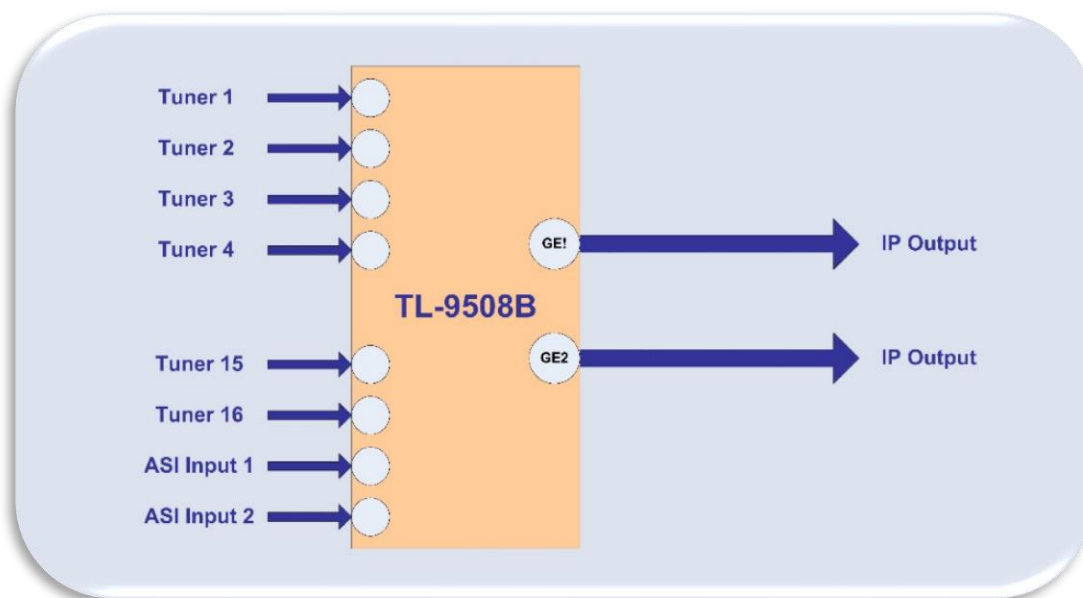
## PRODUCT OVERVIEW

TL-9508B TUNER TO IP GATEWAY - a head-end interface conversion device that supports MPTS and SPTS outputs: switchable. It supports 16 MPTS or 512 SPTS output over UDP and RTP/RTSP protocol. It is integrated with tuner demodulation (or ASI input) and gateway function, which can demodulate the signal from 16 tuners into IP package, or directly convert the TS from ASI input and tuner into IP package, then output the IP package through different IP addresses and ports. BISS function is also embedded for tuner input to descramble your tuner input programs.

## KEY FEATURES

- Supports 16 FTA DVB- S/S2 (DVB-C/T/T2 /ISDB-T/ATSC optional) input, 2 ASI input
- Supports BISS descrambling
- Supports DisEqc function
- 16 MPTS or 512 SPTS output (MPTS and SPTS output switchable)
- 2 GE mirrored output(IP address and port number of GE1 and GE2 are different), up to 850Mbps→SPTS
- 2 independent GE output ports, GE1 + GE2 →MPTS
- Support PID filtering, re-mapping (only for SPTS output)
- Support "Null PKT Filter" function (only for MPTS output)
- Support Web operation

## PRINCIPLE CHART

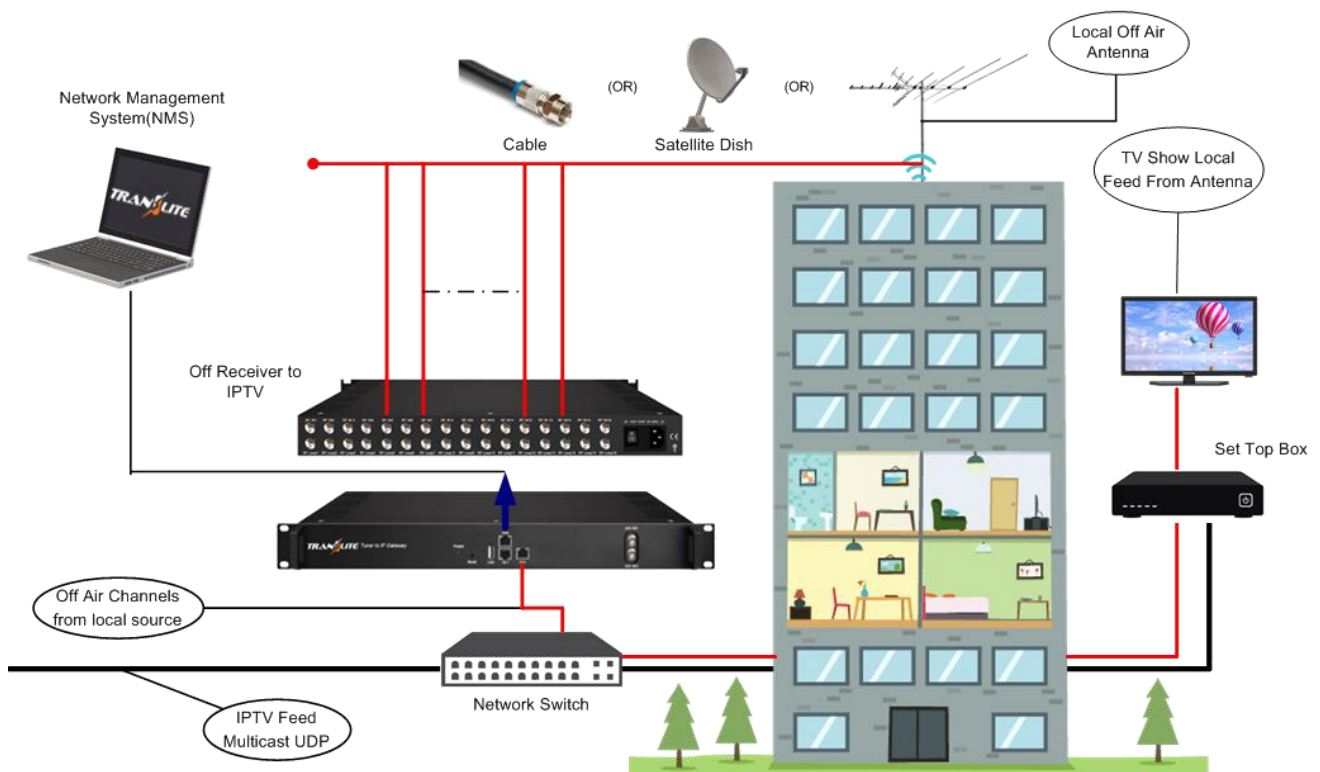


## SPECIFICATIONS

Input		
Optional 1:16 tuners input +2 ASI input---SPTS output		
Optional 2:14tuners input +2 ASI input --- MPTS output		
Optional 3:16 tuners input --- MPTS output		
Tuner Section		
DVB-C	Standard	J.83A(DVB-C), J.83B, J.83C
	Frequency In	30 MHz~1000 MHz
	Constellation	16/32/64/128/256 QAM
DVB-T/T2	Frequency In	30MHz ~ 999.999 MHz
	Bandwidth	6/7/8 M bandwidth
DVB-S/S2	Input Frequency	950-2150MHz
	Symbol rate	DVB-S: QPSK 2~45Mbauds; DVB-S2:QPSK 1~45Mbauds, 8PSK 2~30Mbauds
	Code rate	1/2, 3/5, 2/3, 3/4, 4/5, 5/6, 8/9, 9/10
	Constellation	QPSK, 8PSK
ISDB-T	Input Frequency	30-1000MHz
ATSC	Input Frequency	54MHz ~ 858MHz
	Bandwidth	6M bandwidth

Output	
512 SPTS IP mirrored output over UDP and RTP/RTSP protocol through GE1 and GE2 port, Unicast and Multicast	
16 MPTS IP output (for Tuner/ASI pass-through) over UDP and RTP/RTSP protocol through GE1 and GE2 port(IP address and port number of GE1 and GE2 are different), Unicast and Multicast	
BISS Descrambling	
Mode 1, Mode E (Up to 850Mbps) (descramble individual program)	
Miscellaneous	
<b>Dimension</b>	482mm×410mm×44mm (W×L×H)
<b>Approx. weight</b>	3.6kg
<b>Environment</b>	0~45°C(work) ; -20~80°C (Storage)
<b>Power requirements</b>	100~240VAC, 50/60Hz
<b>Power consumption</b>	20W

## APPLICATION



Provided by: Mega Hertz | 800-883-8839 | info@go2mhz.com | www.go2mhz.com

<https://www.go2mhz.com/product/tuner-to-ip-gateway/>