

# CableOS® Jetty-1

REMOTE SWITCH DEVICE



**The Jetty 60G-capable remote switch (RSW) brings multigigabit connectivity to every rural, suburban and urban community. The Jetty offers six SFP+ ports, at 10 Gbps each, for unprecedented outdoor switching capacity.**

Gain an agile, scalable and sustainable foundation to provide the next generation of broadband services. Quickly deploy new fiber-to-the-home (FTTH) high speed data services, improve broadband connectivity to businesses with Jetty and Harmonic's cloud-native CableOS multi-access edge solution.

Utilize the Fin Remote OLT (R-OLT) on Jetty ports together with Harmonic's virtual OLT application which runs on CableOS to provide 10G EPON and XGS-PON services. Up to five Fin R-OLTs can be deployed in a single Jetty. Use Jetty with Harmonic's hardened Ripple DAA nodes connecting access networks to multiple premises from the most optimal outdoor or indoor location for FTTH services. Deploy the Ripple DAA Node with a combination of one Jetty and one Pebble module or with two Jetty modules.

Jetty enables simple PON and fiber deployments where and when you need it with latency and loss-sensitive optical components placed closer to your subscribers eliminating the legacy PON distance limitation. Eliminate the need for more capital-intensive, fiberoptic infrastructure, leverage existing back-office systems and improve service velocity using a single virtual solution.

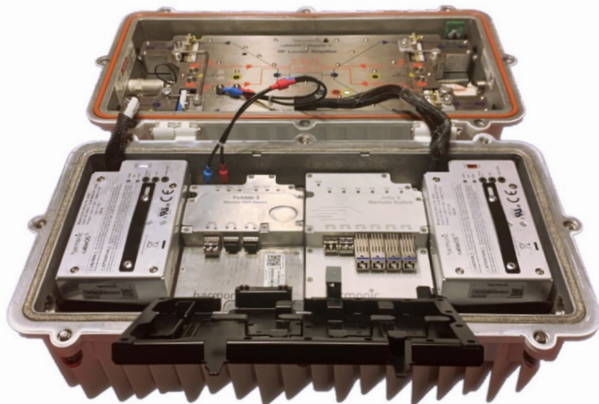


Fig.1 Jetty RSW and Pebble RPD inside Ripple node

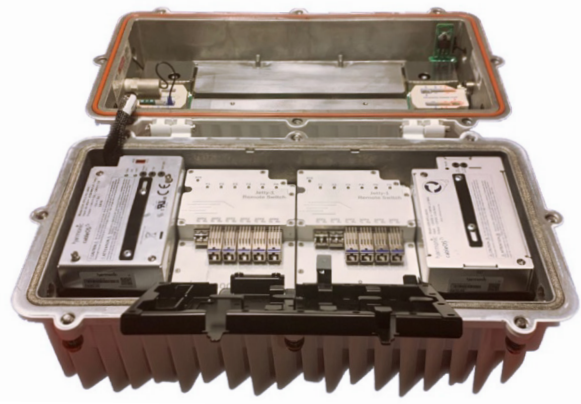
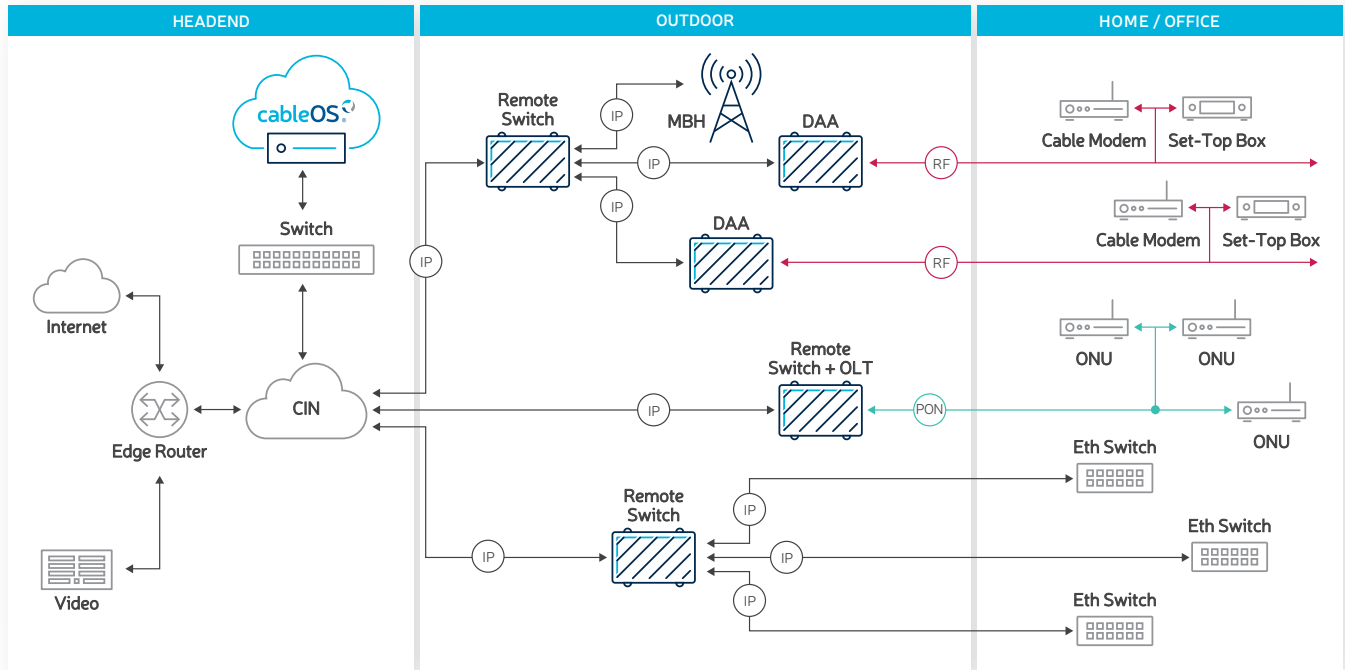


Fig.2 Two Jetty RSW modules inside Ripple node

## HIGHLIGHTS

- Remote Outdoor Ethernet L2/L3 Switch
- Remote OLT for PON
- Residential, Enterprise and Wireless xHaul LAN/PON access
- Business Services

Deployment Diagram



Provided by: Mega Hertz | 800-883-8839 | info@go2mhz.com | www.go2mhz.com

<https://www.go2mhz.com/product/remote-phy-switch-rsw/>

