

# Optical Switch Module

LB-1000-OSW



The LB-1000-OSW is an optical switch module used to shift between A/B optical signals provided with both automatic and manual switching functions, characterized by simple and convenient operation. It can be widely used for systems requiring optical signal control as well as switching and redundant backup. It accepts a wide range of optical wavelengths (1300 to 1620 nm) and optical input powers (-22 to +22 dBm). Module parameters can be monitored and configured through the LB-1000-CM system management control module using the touch screen or by using a PC (web GUI or SNMP agent).



LB-1000 3RU Chassis (front angled view)

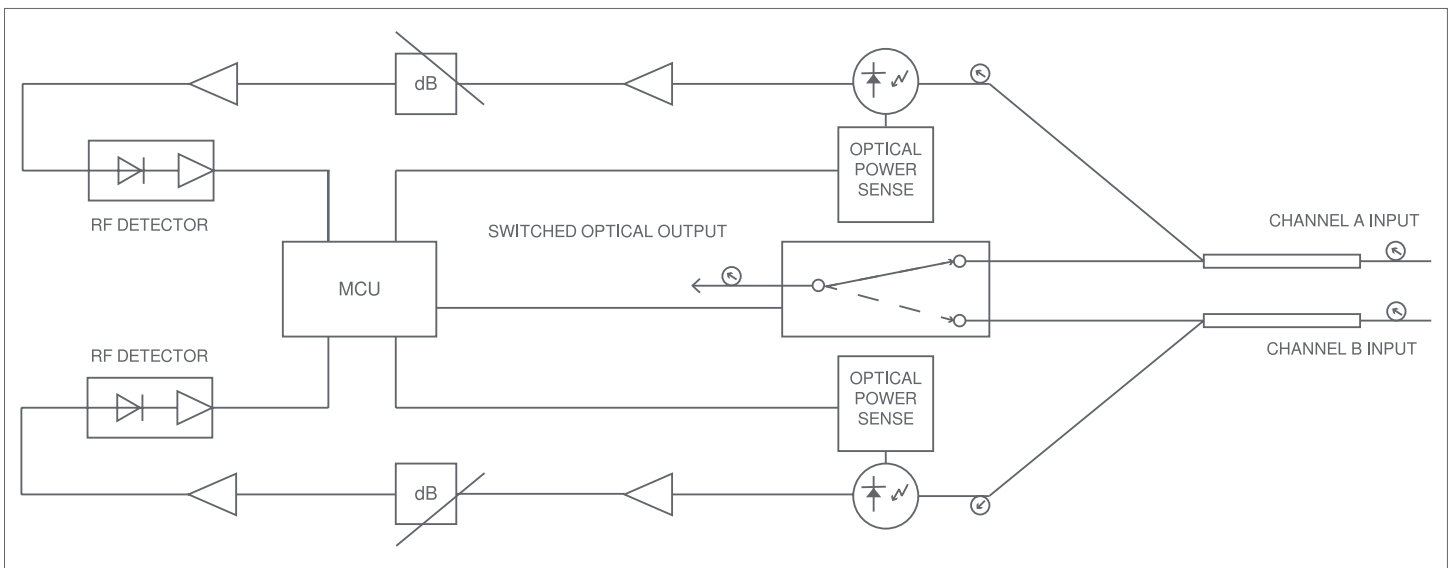
## FEATURES

- Hot-swappable capability
- Wide Optical Input Wavelength Range: 1290 nm to 1620 nm
- Wide Optical Input Power Range: -22 dBm to +22 dBm
- Optical input power monitoring & display
- RF state monitoring & switching based on both RF & optical detection
- Optical automatic/manual gain control (AGC/MGC)
- Optical threshold for switching can be adjusted
- Can select either port as primary
- Revert control on/off selectable in case primary port restored
- Local or remote monitoring using the LB-1000-CM system management control module touch screen, web GUI or SNMP



LB-1000-OSW Module (front and rear views)

## FUNCTIONAL SCHEMATIC





## SPECIFICATIONS

Parameter	Specification
<b>Optical Parameters <sup>(1)</sup></b>	
Wavelength	1290-1620 nm
Optical Power Range	-22 to +22 dBm
Insertion Loss	≤ 1.5 dB
Optical Return Loss	> 45 dB
Optical Connector	SC/APC
In-band Flatness	± 0.5 dB
Channel Crosstalk	≥ 60 dB
Switching Time	≤ 12 ms
Transmission Power	≤ 300 mW
<b>Power &amp; Physical</b>	
Power Consumption <sup>(2)</sup>	≤ 15 W
Dimensions	4.7"H x 0.9"W x 17.4"D (11.9H x 2.2W x 44.2D cm)
Weight	1.7 lb (0.8 kg)

### NOTES:

- (1) Configurable optical switching based on both optical & RF detection
- (2) Powering from the LB-1000-CH chassis

## ORDERING INFORMATION

Part #	Description
LB-1000-OSW-SA	Optical switch module

<https://www.go2mhz.com/product/optical-switch-module/>

**LINDSAY**  
BROADBAND



Provided by: Mega Hertz | 800-883-8839  
info@go2mhz.com | www.go2mhz.com