

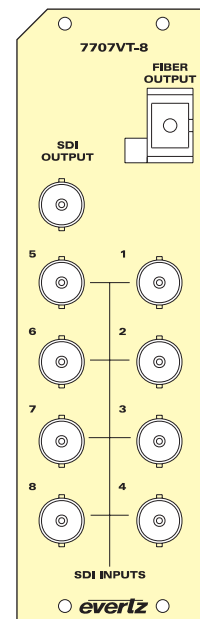
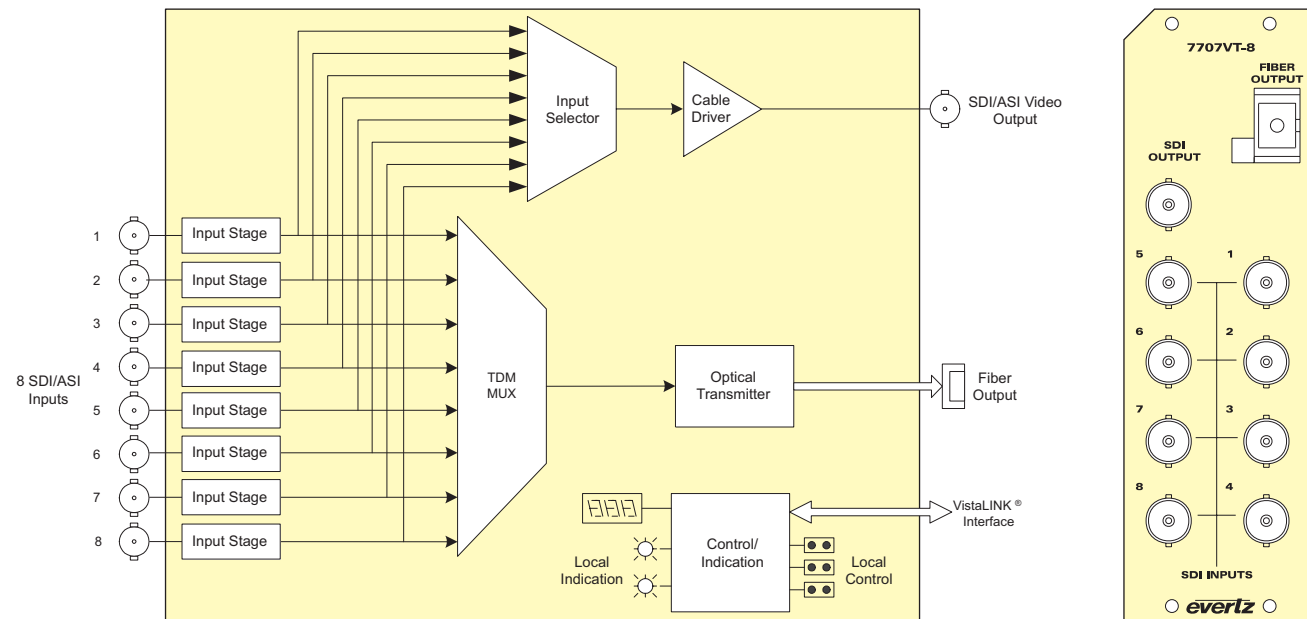
7707VT-8

8 Channel SDI/ASI Fiber Transmitter



► Features & Benefits

- Multiplexor for eight synchronous or asynchronous 270Mb/s SDI, DVB-ASI or SDTi video signals
- Signal transport uninterrupted by loss of any SDI, DVB-ASI or SDTi input feed
- Transparently passes embedded AES or any other data in the horizontal or vertical ancillary data space
- Comprehensive signal and card status monitoring via four digit card edge display or remotely through SNMP and VistaLINK®
- Occupies two card slots and can be housed in either a 1RU frame which will hold up to 3 modules, a 3RU frame which will hold up to 7 modules, 3RU portable frame that holds up to 3 modules or a standalone frame which will hold 1 module
- VistaLINK® capability is available when modules are used with the 3RU 7800FR frame and a 7700FC VistaLINK® Frame Controller module in slot 1 of the frame
- Automatic coaxial equalization up to 250m at 270Mb/s (Belden 8281)
- Fully hot-swappable from front of frame with no fiber/coax disconnect/reconnect required
- Supports single-mode and multi-mode fiber optic cable
- Optical output wavelengths of 1310nm, 1550nm and up to 16 CWDM wavelengths
- DWDM wavelengths also available
- SC/PC, ST/PC, FC/PC fiber connectors available
- Input selection feature allows user to route 1 of the 8 incoming video signals to the SDI output



► Specifications

Serial Video Input:

Standard: SMPTE 259M, SMPTE 305M, DVB-ASI
 Number of Inputs: 8 independent SDI, SDTi or DVB-ASI 270Mb/s signals
 Connector: 8 BNC per IEC 61169-8 Annex A
 Equalization: Automatic to 250m @ 270Mb/s with Belden 8281 or equivalent cable
 Return Loss: > 15dB up to 270Mb/s

Serial Video Output:

Standards: SMPTE 259M, SMPTE 305M, DVB-ASI
 Number of Outputs: 1 Independent SDI, SDTi or DVB-ASI 270Mb/s signal
 Connectors: 1 BNC per IEC 61169-8 Annex A
 Signal Level: 800mV(nominal)
 DC Offset: 0V ±0.5V
 Rise and Fall Time: 900ps(nominal)
 Overshoot: < 10% of amplitude
 Return Loss: > 15dB to 270Mb/s
 Wide Band Jitter: < 0.2 UI

Optical Output:

Number: 1
 Connector: Female SC/PC, ST/PC or FC/PC
 Return Loss: > 14dB
 Wideband Jitter: < 0.2 UI
 Fiber Size: 9µm core/125µm overall
 Wavelengths:
 Standard: 1310nm, 1550nm (nominal)
 CWDM: 1270nm to 1610nm
 DWDM: (See Ordering Information)
 C-Band (ITU-T G.694.1 compliant)
 (See Ordering Information)
 Output Power:
 1310nm FP(Standard): -6dBm ±1dBm
 1550nm & CWDM DFB: 0dBm ±1dBm
 DWDM DFB: 7dBm ±1dBm

Electrical:

Voltage: +12V DC
 Power: 12W (Non DWDM), 15W (DWDM)

Physical (number of slots):

350FR: 2
 7700FR-C: 2
 7800FR: 2

Compliance:

Laser Safety: Class 1 laser product
 Complies with 24 CFR 1040.10 and 1040.11
 IEC 60825-1
 EMI/RFI: Complies with FCC Part 15, Class A
 EU EMC directive

► Ordering Information

7707VT13-8 Eight SDI/ASI Mux Fiber Transmitter, 1310nm FP, Laser, VistaLINK®
7707VT15-8 Eight SDI/ASI Mux Fiber Transmitter, 1550nm DFB Laser, VistaLINK®

For CWDM, please refer to the end of the fiber section for ordering information
7707VTxx-8 Eight SDI/ASI Mux Fiber Transmitter, CWDM Laser, VistaLINK®

For DWDM, please refer to the end of the fiber section for ordering information
7707VTDxx-8 Eight SDI/ASI Mux Fiber Transmitter, DWDM Laser, VistaLINK®

Connector Suffix

+SC SC/PC
+ST ST/PC
+FC FC/PC

Enclosures

350FR 3RU Portable Multiframe which holds up to 7 single slot modules
7700FR-C 3RU Multiframe which holds up to 15 single slot modules
7800FR 3RU Multiframe which holds up to 15 single slot modules
7701FR 1RU Multiframe which holds up to 3 single or dual slot modules
S7701FR Standalone Enclosure

Ordering Options Rear Plate and Fiber Connector must be specified at time of order
 Eg: Model +SC +3RU

Rear Plate Suffix

+3RU 3RU Rear Plate for use with 350FR, 7700FR-C or 7800FR Multiframe
+1RU 1RU Rear Plate for use with 7701FR Multiframe
+SA Standalone Enclosure Rear Plate