

TACO ANTENNAS

J-SERIES YAGI AND LOG PERIODIC ANTENNAS MODELS:

- ◆ J55-* (Single Channel)
- ◆ J105-* (Single Channel)
- ◆ J55-LO (Log Periodic)
- ◆ J105-HI (Log Periodic)

YAGI ANTENNAS

These economically priced yagi antennas have stainless steel fasteners and mounting hardware. They are available in both cut-to-channel and broadband models. All J-Series antennas feature a sealed, capacitor-tuned gamma match network for optimum signal transfer.

All J-Series antennas are available with the exclusive **Wade Cantilever Mount**.

TACO CATV ANTENNAS

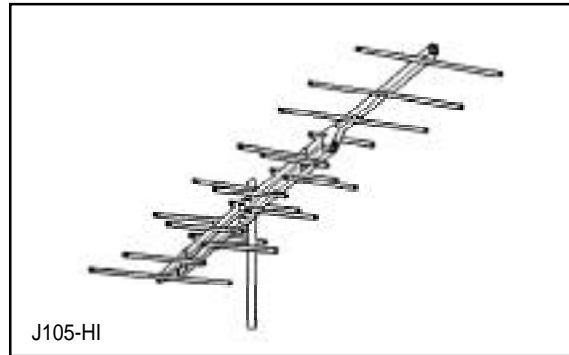
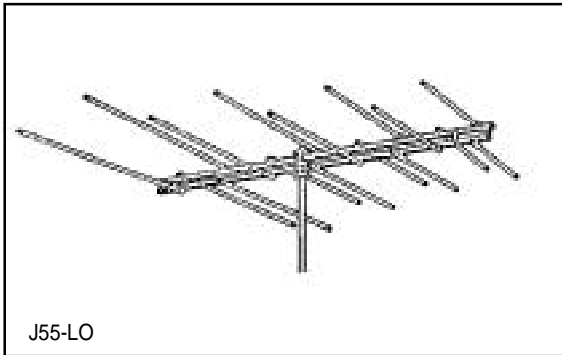
J-SERIES

ELECTRICAL SPECIFICATIONS

SPECIFICATION	J55-*	J105-*	J55-LO	J105-HI
NO. ELEMENTS	5	10	8	11
CHANNEL	2 To FM*	7 To 13*	2 Thru FM	7 Thru 13
GAIN	10 dBi	12.5 dBi	10 dBi	10.5 dBi
IMPEDANCE	75 Ohm ALL MODELS			
VSWR	1.5:1	1.5:1	1.5:1	1.5:1
FR:BK RATIO	18 dB	20 dB	22 dB	22 dB
POLARIZATION	Horiz. ALL MODELS			
H. BEAM WIDTH	60 deg.	44 deg.	60 deg.	49 deg.
V. BEAM WIDTH	100 deg.	59 deg.	100 deg.	75 deg.
CONNECTOR	"F" Connector ALL MODELS			
CENTRE MOUNT	Standard ALL MODELS			
CANTILEVER MOUNT	Optional ALL MODELS			
PIPE SIZE**	Up To 2.5" O.D. ALL MODELS			

* SPECIFY CHANNEL.

** LARGER SIZES ARE AVAILABLE ON REQUEST



TACO CATV ANTENNAS

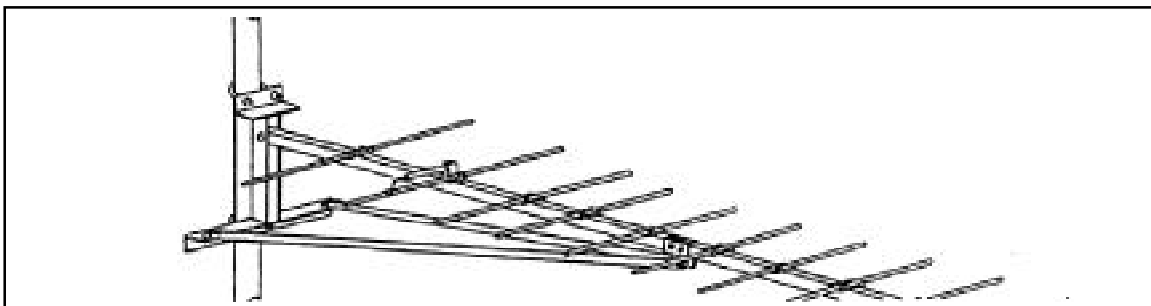
J-SERIES

MECHANICAL SPECIFICATIONS

MODEL	LENGTH (IN.)	WIDTH [*] (IN.)	WEIGHT (Lbs)	THRUST ^{**} (FT-Lbs)	
				NO ICE	1/4" ICE
J55-LO	94	54	24	69	109
J105-HI	104	33	19	55	77
J55-2	102	110	18	52	80
J55-3	89	100.5	18	46	72
J55-4	88	89	17	40	66
J55-5	80	77	16	36	60
J55-6	71	70	16	32	54
J55-FM	79	65	16	32	54
J105-7	98	33.5	16	35	55
J105-8	98	32.5	16	33.5	52.5
J105-9	98	31.5	15	31.5	50
J105-10	91	30.5	15	30	48.5
J105-11	91	30	15	28.5	46.3
J105-12	85	28.5	15	27.5	44
J105-13	82	27	15	26	42

* LENGTH OF LONGEST ELEMENT

** WIND 100 MPH



WADE CANTILEVER MOUNT
(SHOWN ON MODEL J105 - ANTENNA)