

IPA6800+

IP Video Gateway — ASI to IP Encapsulator

The IPA6800+ IP video gateway module is an extension of the comprehensive set of line cards in the 6800+™ series. The IPA6800+ links traditional ASI based video plants with modern Gigabit Ethernet networks and provides a cost-effective alternative to expensive satellite-based ASI links.

Take advantage of your existing Gigabit Ethernet network by transporting compressed signals from a satellite receiver or encoder simultaneously to multiple locations over your wide area network (WAN), and reverse the process at the other end with the same card.

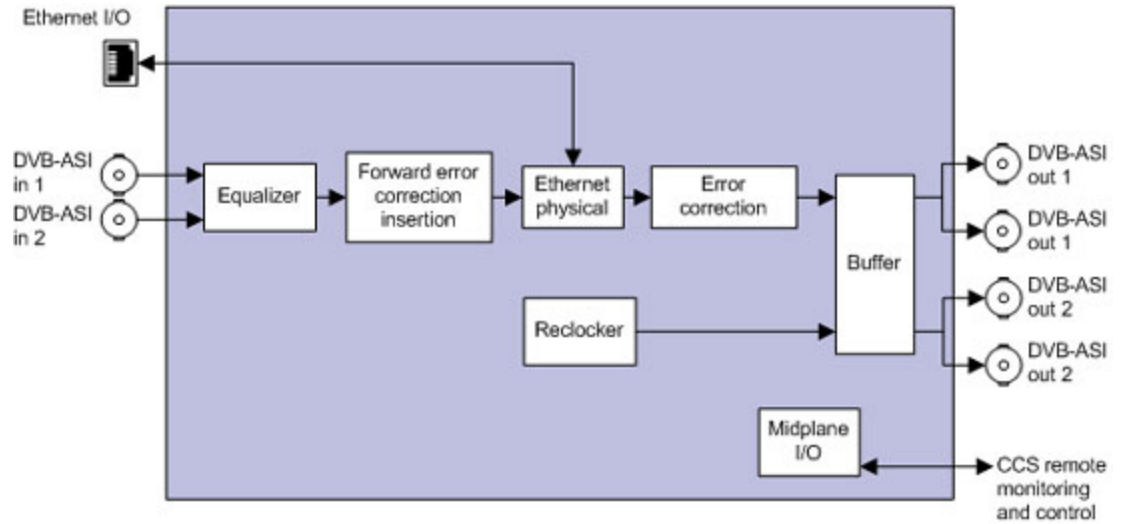
Share or pass through single or multiple program streams over IP and have the extra protection of Pro MPEG COP-3 forward error correction (FEC) to guard against network shortcomings.

FEATURES

- Bidirectional transmission of ASI to and from IP
- Two independent transmit and receive channels
- Simultaneously send or receive in either direction without interference
- Add forward error correction (FEC) for robust data transmission
- Transmit or receive IP uni-cast or multicast video streams
- Control using CCSP and over IP
- Encapsulate up to two ASI streams and transmit them over IP
- De-encapsulate ASI streams from an IP transport

IMAGES/DIAGRAMS

Block Diagram



Back Module



SPECIFICATIONS

Specifications and designs are subject to change without notice.

10/100/1000Base-T Electrical Interface 1000Base-T

Differential Output Voltage	0.75 V ±0.83 dB
High Frequency Jitter (max)	0.3 ns
Clock Frequency	125 MHz ±0.01%
Common Mode Rejection	1V RMS 1-250 MHz

ASI Input

Connector	BNC
Clock Rate	270 MHz ±100 ppm
Logic Levels	880 mV-200 mV pk-pk
Data Rate	0–214 Mb/s
Packet Size	188 or 204
Applicable Standards	DVB-ASI A011 Rev 1.0
FEC Type	Pro-MPEG Code of Practice 3 R2 Row FEC

ASI Output

Connector	BNC
Clock Rate	270 MHz ±1 ppm
Logic Levels	800 mV pk-pk ±10%
Data Rate	0–214 Mb/s in 100 b/s Increments
Packet Size	188 or 204
Applicable Standards	DVB-ASI A011 Rev 1.0

Operating Temperature

41° to 113° F (5° to 45° C)

Regulatory Compliance

Safety Compliance	UL and cUL (United States-UL1950 and Canada-CSA C22.2, No.950)
CE	CE
FCC Certification	Complies with FCC Sub-Part 15, Class A

Physical Specifications

Double-slot 6800+ module, RoHS compliant

Electrical Specifications

Power consumption	12 W
-------------------	------

Frames Supported

FR6802+XF, FR6802+XF48, FR6802+QXF and FR6800+MB

ORDERING INFORMATION

IMPORTANT: Certain module combinations may exceed the power and heat dissipation capabilities of the frames.

HALRIPA6800+D	IP video gateway, bidirectional SDI to IP converter with rear connector module for 6800+ series frames
HALRIPA6800+	IP video gateway, bidirectional SDI to IP converter, no rear connector module

HALRIPA6800+R

IP video gateway, bidirectional SDI to IP converter dual width rear connector module

Provided by: Mega Hertz 800-883-8839 sales@go2mhz.com www.go2mhz.com