

DA-S/SR6802+S/D/DL

1x4 or 1x8, SD/ASI

The DA-S6802+/DA-SR6802+ single distribution amplifiers (DAs) provide one channel of SDI/ASI/SMTPE 310 video distribution with cable equalizing and reclocking*. The DA-S6802+D/DL and DA-SR6802+D/DL DAs are single-channel DAs with eight outputs (1x8). The DA-S6802+/DA-SR6802+ DAs feature high video performance, low cost and remote indication of signal presence and alarms.

The DA-S6802+D/DL and DA-SR6802+D/DL DAs provide 10 channels of 1x8 SDI/ASI/SMTPE 310 distribution in a 2RU frame with low power consumption, and non-inverting ASI compatibility on all outputs.

The +S configuration of this product refers to the single-slot back module, which allows the DA to function as a single-channel 1x4 distribution amplifier.

The available +DL configuration for this product refers to the Looping Input back module, which is a double slot back module (1x8 with looping input) and is ideal for cascading DA applications. Looping Input is now available!

*reclocking on DA-SR6802+ only

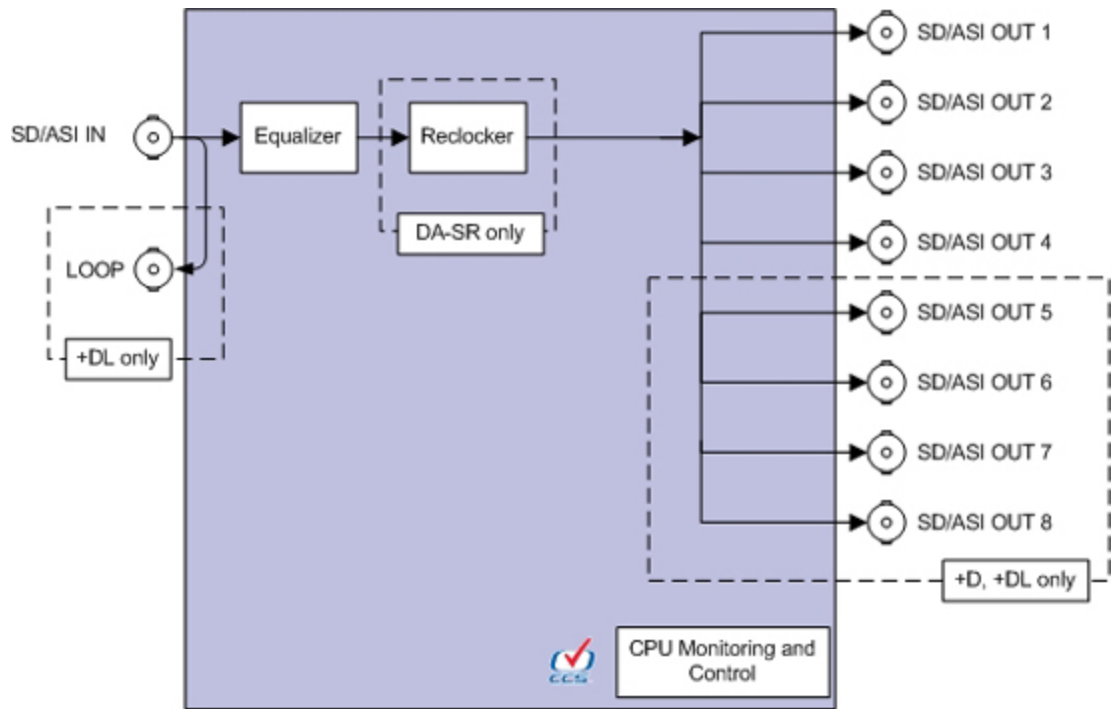
- 
- 

FEATURES

- Inexpensive DA with equalizing and reclocking (DA-SR6802+ only)
- Single 1x8 with dual back panel or single 1x4 with single back panel
- Automatic cable equalization on inputs
- Automatic or forced rate detection
- Reclocking with automatic or forced bypass (DA-SR6802+ only)
- Identical polarity for ASI compatibility
- Feedback status reports input signals present
- Feedback status reports input signals locked
- Card-edge control by jumpers with LED feedback
- Remote control with status and alarm
- 10 channels of 1x8 distribution (+D, +DL) or 20 channels of 1x4 (+S) in a 2RU 6800+ frame

IMAGES/DIAGRAMS

Block Diagram

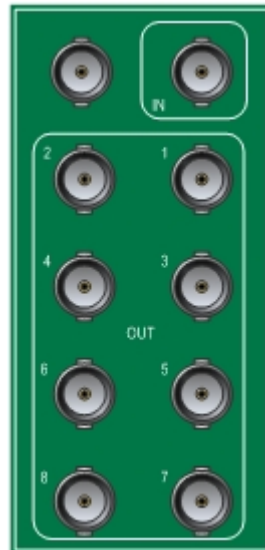


Back Modules

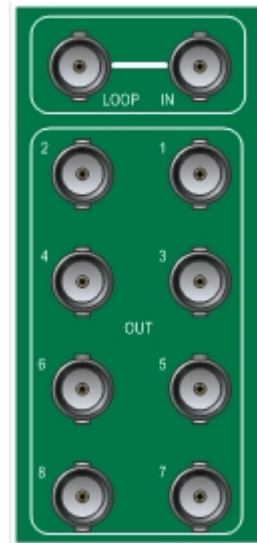
DA-S/SR6802+S



DA-S/SR6802+D



DA-S/SR6802+DL



SPECIFICATIONS

Specifications and designs are subject to change without notice.

Signal type

SDI, ASI

Connector	BNC (IEC169-8)
Impedance	75 ohms
Return Loss	>15 dB to 1485 MHz
Cable Equalization:	300 m Belden 1694
Number of Outputs	1
Signal Type	SDI, ASI
SDI	8 (1x8 configuration)
ASI	8 (1x8 configuration)
Connector	BNC (IEC169-8)
Impedance	75 ohms
Return Loss	>18 dB to 540 MHz
Signal Amplitude	800 mV ± 10%
DC Offset	0.0 V ± 0.5 V
Rise and Fall Time:	400 – 1500 pS (20% to 80% amplitude)
Overshoot	<10% of amplitude
Jitter	<0.2 UI pk-pk

Power Consumption

DA-SR6802+D	+6.8 V DC, 0.5 A, 3.5 W
DA-S6802+D	+6.8 V DC, 0.8 A, 5.5 W

Propagation Delay

DA-SR6802+D (all bit rates)	<8.0 ns
DA-S6802+D	<9.0 ns
Bypass mode (all bit rates)	48.0 ns
19.4 Mb/s reclock	19.5 ns
143 Mb/s reclock	17.4 ns
177 Mb/s reclock	14.76 ns
270 (525/625/ASI) Mb/s reclock	13.2 ns
360 Mb/s reclock	11.4 ns
540 Mb/s reclock	

Temperature

Operating Temperature	32° to 122° F (0° to 50° C)
Performance Temperature	41° to 104° F (5° to 40° C)

Start-Up Time

Start-up time for DA-S6802+/DA-SR6802+ modules is approximately 10 seconds.

ORDERING INFORMATION

DA-S6802+S	1x4 DA, SD/ASI non-reclocking, one slot
DA-S6802+D	1x8 DA, SD/ASI non-reclocking, two slots
DA-S6802+DL	1x8 DA with looping input, SD/ASI non-reclocking, two slots
DA-SR6802+S	1x4 DA, SD/ASI with reclocking, one slot
DA-SR6802+D	1x8 DA, SD/ASI with reclocking, two slots
DA-SR6802+DL	1x8 DA with looping input, SD/ASI with reclocking, two slots

Provided by: Mega Hertz 800-883-8839 sales@go2mhz.com www.go2mhz.com