

# DA-DS/DSR6802+D

## Dual 1x4 or Single 1x8 with Built-in ACO, SD/ASI

The DA-DS6802+D/DA-DSR6802+D dual distribution amplifiers (DAs) provide two channels of SDI/ASI/SMTPE310 video distribution with cable equalizing and reclocking (reclocking on DA-DSR6802+ only). The DA-DS6802+D/DA-DSR6802+D dual DAs have four outputs for each input (two 1x4) or can be configured as single-channel DAs with eight outputs (1x8). The DA-DA-DS6802+D/DA-DSR6802+D dual DAs feature high video performance, low cost and remote indication of signal presence and alarms.

The DA-DS6802+D/DA-DSR6802+D DAs provide 20 channels of 1x4 or 10 channels of 1x8 SDI/ASI distribution in a 2RU frame with low power consumption, and full ASI compatibility on all outputs.

The DA-DS6802+D/DA-DSR6802+D protect your signal path with a unique automatic changeover (ACO) feature. With the built-in ACO, an automatic failover can be set to switch the primary input to the secondary with the loss of signal on the primary input. The user can select which input is designated as primary and which is secondary. This further leverages your investment and allows customers to have a backup to live or sync feeds directly on this DA!

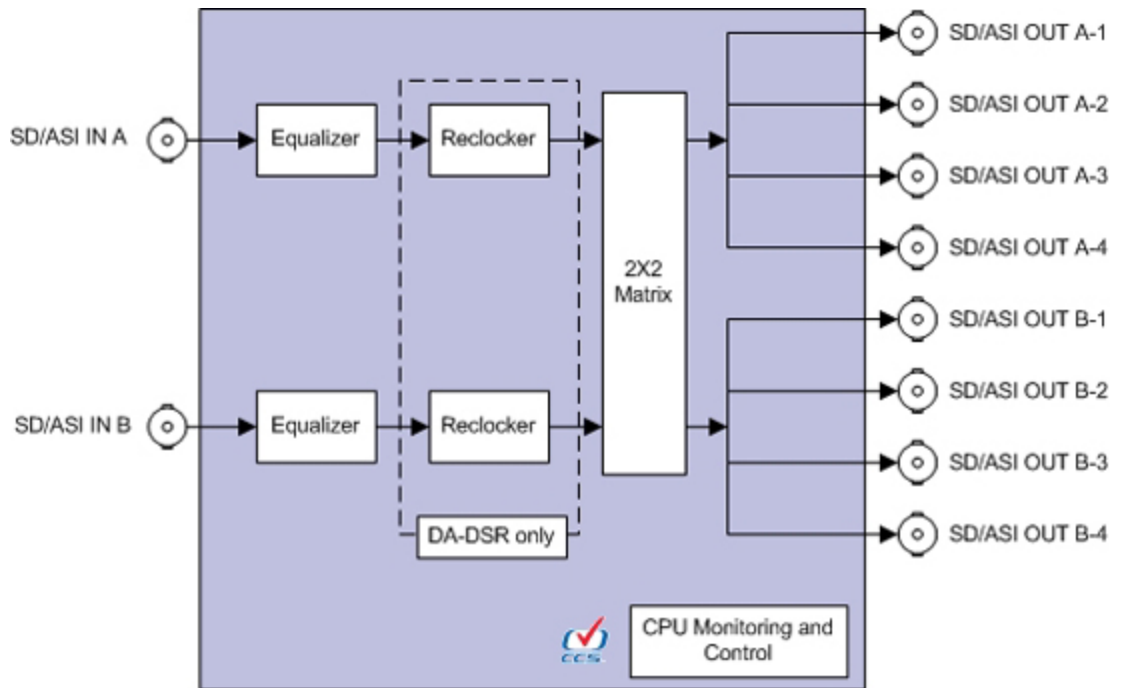
- 
- 

## FEATURES

- Inexpensive DA with equalizing and reclocking (DA-DSR6802+D only)
- Configurable as a single 1x8 or as dual 1x4 DA
- Automatic cable equalization on inputs
- Automatic or forced rate detection
- Reclocking with automatic or forced bypass (DA-DSR6802+D only)
- Identical polarity for ASI compatibility
- Built-in ACO protection between inputs
- Feedback status reports input signals present
- Feedback status reports input signals locked
- Card-edge control by jumpers with LED feedback
- Remote control with status and alarm
- 20 channels of 1x4 or 10 channels of 1x8 distribution in a 2RU 6800+ frame

**IMAGES/DIAGRAMS**

**Block Diagram**



**Block Diagram**



**SPECIFICATIONS**

Specifications and designs are subject to change without notice.

Signal Type	SDI, ASI
Connector	BNC (IEC169-8)

Impedance	75 ohms
Return Loss	>15 dB to 1485 MHz

Cable Equalization	300 m Belden 1694
--------------------	-------------------

#### Number of Outputs:

Signal Type	SDI, ASI
SDI	8 (1x8 configuration)
ASI	4 (2x4 configuration)
Connector	BNC (IEC169-8)
Impedance	75 ohms
Return Loss	>18 dB to 540 MHz
Signal Amplitude	800 mV ± 10%
DC Offset	0.0 V ± 0.5 V

Rise and Fall Time	400 – 1500 pS (20% to 80% amplitude)
Overshoot	<10% of amplitude
Jitter	<0.2 UI peak-to-peak

#### Power Consumption

DA-DSR6802+D	+6.8 Vdc, 0.5 A, 3.5 W
DA-DS6802+D	+6.8 Vdc, 0.8 A, 5.5 W

#### Propagation Delay

DA-DSR6802+D (all bit rates)	<8.0 ns
DA-DS6802+D	
Bypass mode (all bit rates)	<9.0 ns
19.4 Mb/s Reclock	48.0 ns
143 Mb/s Reclock	19.5 ns
177 Mb/s Reclock	17.4 ns
270 (525/625/ASI) Mb/s Reclock	14.76 ns
360 Mb/s Reclock	13.2 ns
540 Mb/s Reclock	11.4 ns

#### Temperature

Operating Temperature	32° F to 122° F (0° – 50° C)
Performance Temperature	41° F to 104° F (5° – 40° C)

#### Start-Up Time

Start-up time for DA-DS6802+D/DA-DSR6802+D modules is approximately 10 seconds.

## ORDERING INFORMATION

DA-DS6802+D                      Dual 1x4 DA or single 1x8 with secondary back-up input and built-in ACO, SD/ASI  
non-reclocking, two slots

DA-DSR6802+D                    Dual 1x4 DA or single 1x8 with secondary back-up input and built-in ACO, SD/ASI with  
reclocking, two slots

Provided by: Mega Hertz   800-883-8839   sales@go2mhz.com   www.go2mhz.com