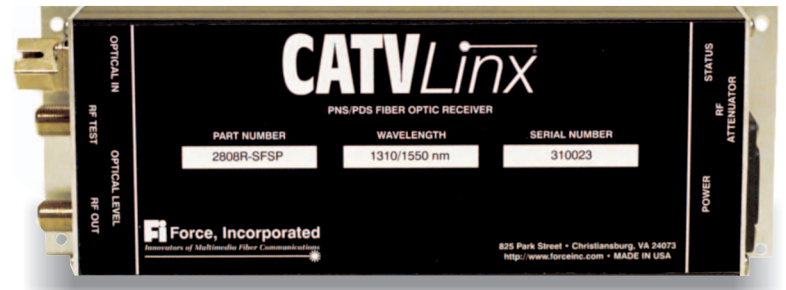


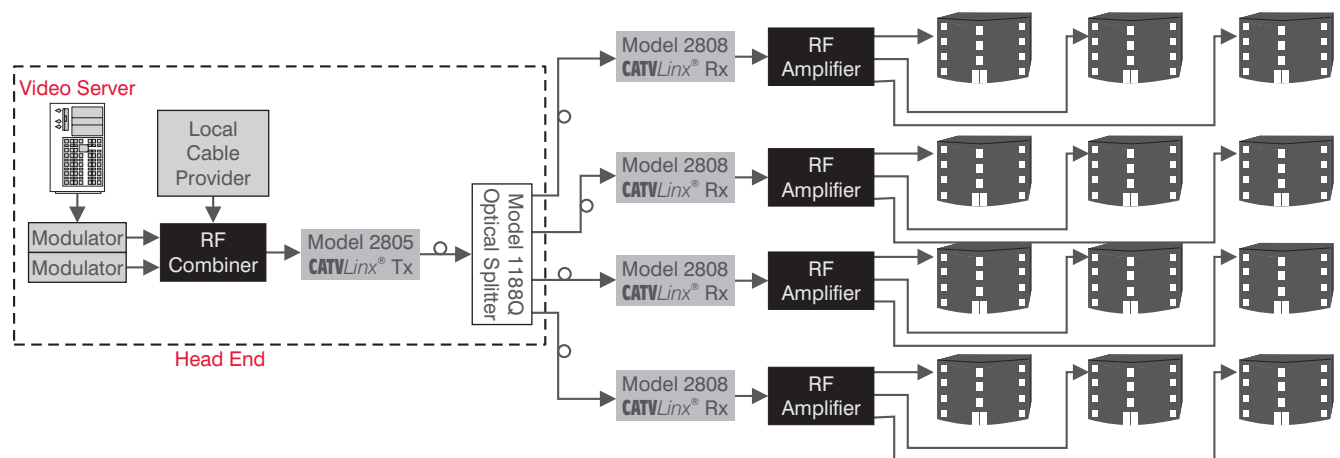
CATV Receiver

- Wide bandwidth of 40 to 860 MHz accommodates up to 110 channels on all models.
- Provides excellent picture quality with a CNR up to 54.5 dB, CSO of -63, and CTB of -66 dBm.
- RF Output up to +28 dBmV allows a greater number of drops or splits.
- Wide optical input range of -8 dBm to +4.5 dBm permits the use of a lower power transmitter, reducing system cost.
- Built-in, universal AC power supply frees system user from bulky wall-mount AC adapters.



Model 2808 Receiver

The Force CATV Linx® Model 2808 110 Channel Private Network Solution (PNS)/Professional Distribution Solution (PDS) VSB/AM Fiber Optic Receiver, working with Model 2804 PDS or 2805 PNS transmitter, provides CATV distribution headend operators with an extensive array of features that offer a low-cost solution to increase system performance. The unit provides an RF output of +28 dBmV, allowing multiple RF splits without the use of an external RF amplifier. The Model 2808 is equipped with a manual gain control that allows the user to adjust the RF output level for optimum performance. Additionally, the receiver's ability to operate over a wide optical input range of -8 to +4.5 dBm allows for a variety of system designs without degrading performance. The Model 2808 can transport up to 110 CATV channels using the entire high-frequency bandwidth, or alternatively, it can transport up to 80 channels of standard CATV signals while utilizing the remaining high-frequency bandwidth to transport 30 digital QAM channels. The receiver includes a universal AC power supply, freeing the user from a bulky wall-mount AC adapter. The streamline design of the Model 2808 offers the flexibility and performance demanded by today's broadband professional.



Provided by: Mega Hertz 800-883-8839 sales@go2mhz.com www.go2mhz.com

Specifications and Ordering Information

Optical Characteristics*

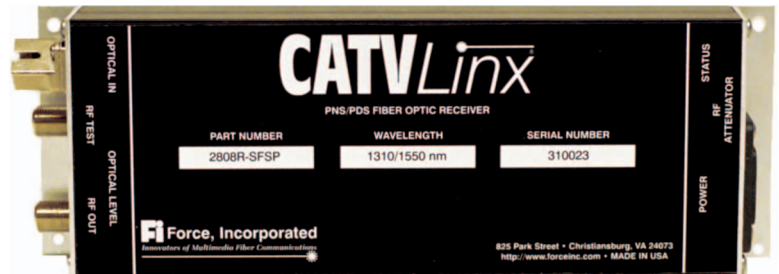
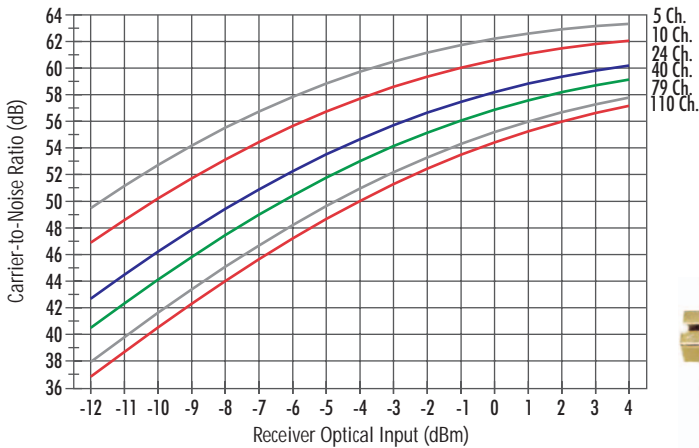
	Min	Typ	Max	Units
Bandwidth	40		860	MHz
Operating Wavelength	1290	1310	1330	nm
Operating Wavelength	1530	1550	1571	nm
RF Output Level		+28		dBmV
Output Return Loss		16		dB
Required Fiber Bandwidth	2000			MHz
Output Impedance		75		Ohms
Backreflection Tolerance			-50	dB
Composite Second Order (CSO)		-63		dBc
Composite Triple Beat (CTB)		-66		dBc
Carrier-to-Noise Ratio (CNR)		54.5		dB

Electrical and Environmental Characteristics*

	Min	Typ	Max	Units
Power Supply Voltage	120		240	VAC
Power Supply Frequency	50		60	Hz
Power Dissipation		8		Watts
Operating Temp. Range	0		+50	°C
Storage Temp. Range	-20		+70	°C
Humidity (RH, non-condensing)	5		95	%

Physical Characteristics*

	Min	Typ	Max	Units
Weight		1.1		lbs.
		0.5		kg
Dimensions	8.45 x 2.95 x 1.12			in.
	215 x 75 x 29			mm



Model 2808 Receiver

SM 77/110 Channel Rx P/N*

Rx Options	SC/APC Connectors	FC/APC Connectors
Rx, 77/110 Ch., 1310/1550 nm	2808R-SFSP	2808R-SFAP

*System performance specifications indicated for use with 9/125 μ m single-mode fiber.

The receiver Model 2808 works with transmitter Models 2804 and 2805; please see IOM2804 and IOM2805 for product and ordering information.



Provided by: Mega Hertz 800-883-8839
 sales@go2mhz.com www.go2mhz.com