

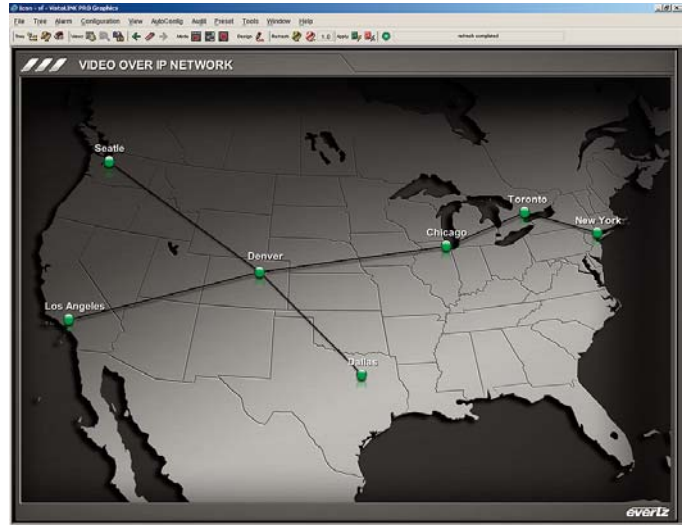
7780ASI-IP2

Dual Channel ASI to IP Encapsulator

The 7780ASI-IP2 is a complete hardware based solution for encapsulating two MPEG-2 transport streams into IP. As more providers are trying to deliver contribution and distribution quality video over IP networks, the 7780ASI-IP2 is capable of bridging traditional compressed world (ASI) with the standard IP networks.

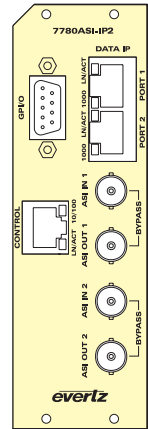
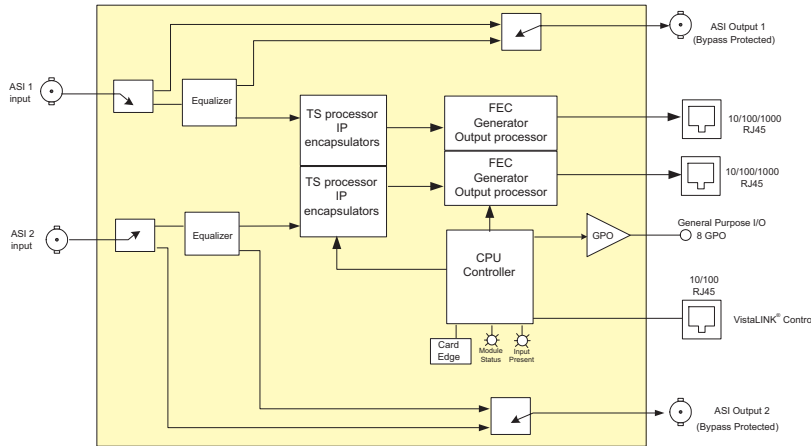
Controlled by the industry leading VistaLINK® PRO, the 7780ASI-IP2 offers signal providers the capability to encapsulate two MPEG-2 transport stream payload to a unicast or multicast standardized IP stream. For contribution application, the 7780ASI-IP2 offers industry standard FEC encoding to allow data recovery on the de-encapsulation side. The 7780ASI-IP2 offers input monitoring for detecting problems prior to the encapsulator. The 7780ASI-IP2 MPEG over IP encapsulator can be paired to the 7780IP-ASI2 De-encapsulator for an end-to-end solution.

The 7780ASI-IP2 occupies two card slots and can be housed in a 1RU frame which will hold up to three modules, a 3RU frame which will hold up to 7 modules or a standalone enclosure.



►Features & Benefits

- Fully integrated with the Industry leading Evertz® VistaLINK® PRO NMS system
- 2 ASI inputs and 2 IP outputs
- Bitrate measurement and basic error on both ASI inputs
- Passive loop through on ASI inputs
- IP output encapsulated over GigaE RJ 45 for up to 2 TS on ASI inputs
- FEC encoding- Pro MPEG forum code of practice #3- release 2<cop3>
- Built-in frame controller for control



►Specifications

Inputs and outputs:

- 2xASI input per DVB TR 101 891 270Mb/s (2 loop through)
- Min ASI TS input bitrate 100kb/s
- Max ASI TS input bitrate 213Mb/s
- 2xRJ45 10/100/1000 GigaE output for MPEG over IP
- 1xRJ45 10/100 control port
- 1xDB25 Output relay (8 GPO)

Encapsulation parameters:

- IP encapsulation for each ASI input:
 - MAC 802.3->IPV4->RTP->UDP->MPEG (RTP can be turned on and off)
 - Select 1 to 7 MPEG packets per IP frame
- FEC encoding (Pro MPEG forum code of practice #3-release 2<cop3>) with L&D following the following range:
 - $L * D \leq 100$
 - $1 \leq L \leq 20$
 - $4 \leq D \leq 20$
- IP address (IP, Subnet mask, Gateway) for the source
- IP address for the destination (Unicast and Multicast)
- Selection of the source port and destination port
- Set Local MAC address of the equipment

Monitored parameters:

- Total Bitrate
- Null Packet Bitrate
- TS_sync_loss
- Sync_byte_error
- Continuity count error
- PID List

Electrical:

Voltage: +12V DC
Power: 20W

Physical (Number of Slots):

350FR: 2
7700FR-C: 2
7800FR: 2

►Ordering Information

7780ASI-IP2 Dual Channel ASI to IP Encapsulator

Ordering Options Rear Plate must be specified at time of order
Eg. Model +3RU

Rear Plate Suffix

+3RU 3RU Rear Plate for use with 350FR, 7700FR-C or 7800FR Multiframe
+1RU 1RU Rear Plate for use with 7701FR Multiframe
+SA Standalone Enclosure Rear Plate

Enclosures

350FR
7700FR-C
7800FR
7701FR
S7701FR

3RU Portable Multiframe which holds up to 7 single slot modules
3RU Multiframe which holds up to 15 single slot modules
3RU Multiframe which holds up to 15 single slot modules
1RU Multiframe which holds up to 3 single or dual slot modules
Standalone Enclosure

The Complete Solution Provider

