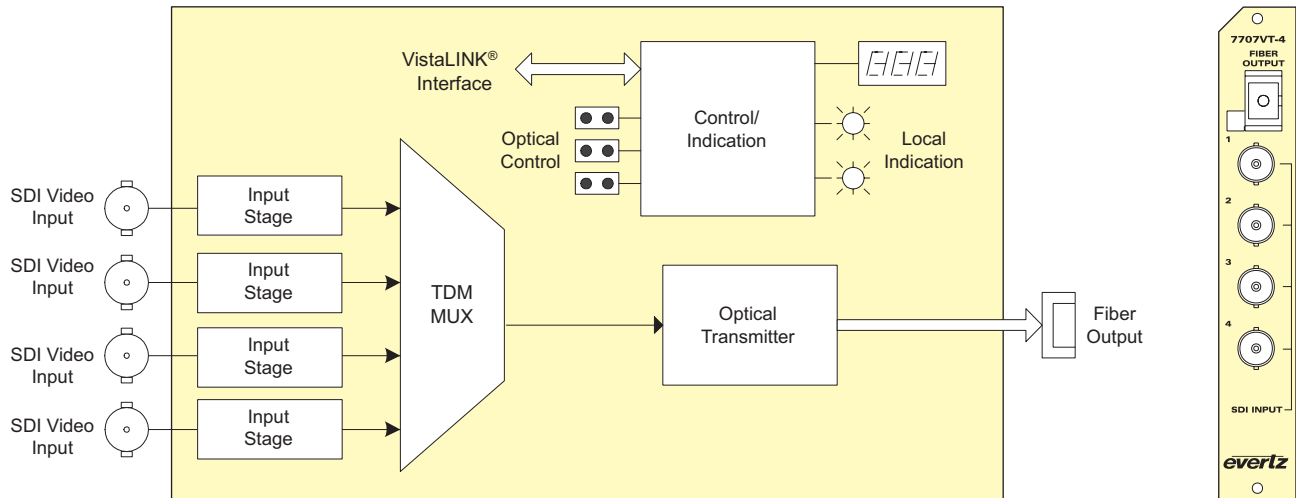


7707VT-4

Quad SDI/ASI Mux Fiber Transmitter

►Features & Benefits

- Single card TDM multiplexer for four synchronous or asynchronous 270Mb/s SDI, SDTi or DVB-ASI video signals
- Signal transport over fiber uninterrupted by loss of any SDI, SDTi or DVB-ASI input feed
- Transparently passes embedded AES or any other data in the horizontal or vertical ancillary data space
- Comprehensive signal and card status monitoring via four digit card edge display or remotely through SNMP and VistaLINK®
- Occupies one card slot and can be housed in either a 1RU frame which will hold up to 3 modules, a 3RU frame which will hold up to 15 modules, 3RU portable frame that holds up to 7 modules or a standalone frame which will hold 1 module
- VistaLINK® capability is available when modules are used with the 3RU 7800FR or 350FR portable frame and a 7700FC VistaLINK® Frame Controller module in slot 1 of the frame
- Automatic coaxial input equalization up to 250m at 270Mb/s (Belden 8281)
- Fully hot-swappable from front of frame with no fiber disconnect/reconnect required
- Supports single-mode and multi-mode fiber optic cable
- Optical output wavelengths of 1310nm, 1550nm, and up to sixteen CWDM wavelengths (ITU-T G.694.2 compliant)
- DWDM wavelengths (ITU-T G.694.1 compliant) also available
- SC/PC, ST/PC, FC/PC connector options



►Specifications

Serial Video Input: Standard: SMPTE 259M-C, SMPTE 305M, DVB-ASI Number of Inputs: 4 independent SDI or DVB-ASI 270Mb/s signals Connector: 4 BNC per IEC 61169-8 Annex A Equalization: Automatic to 250m @ 270Mb/s with Belden 8281 or equivalent cable Return Loss: > 15dB up to 270Mb/s	Wavelengths: Standard: 1310nm, 1550nm (nominal) CWDM: 1270nm to 1610nm (See Ordering Information) DWDM: C-Band (ITU-T G.694.1 compliant) (See Ordering Information) Output Power: 1310nm FP(Standard): -7dBm ±1dBm 1550nm & CWDM DFB: 0dBm ±1dBm DWDM DFB: 7dBm ±1dBm	Physical (number of slots): 350FR: 1 7700FR-C: 1 7800FR: 1 Compliance: Laser Safety: Class 1 laser product Complies with 24 CFR 1040.10 and 1040.11 IEC 60825-1 EMI/RFI: Complies with FCC Part 15, Class A EU EMC directive
Optical Output: Number: 1 Connector: Female SC/PC, ST/PC or FC/PC Return Loss: > 14dB Rise and Fall Time: 200ps nominal Wideband Jitter: < 0.2 UI Fiber Size: 9µm core/125µm overall	Electrical: Voltage: +12V DC Power: 10W (Non DWDM) 13W (DWDM)	

►Ordering Information

7707VT13-4	Quad SDI/ASI Mux Fiber Transmitter, 1310nm FP, VistaLINK®
7707VT15-4	Quad SDI/ASI Mux Fiber Transmitter, 1550nm DFB, VistaLINK®

For CWDM, please refer to the end of the fiber section for ordering information
7707VTxx-4 Quad SDI/ASI Mux Fiber Transmitter, CWDM Laser, VistaLINK®

For DWDM, please refer to the end of the fiber section for ordering information
7707VTDxxx-4 Quad SDI/ASI Mux Fiber Transmitter, DWDM Laser, VistaLINK®

Connector Suffix	
+SC	SC/PC
+ST	ST/PC
+FC	FC/PC

Enclosures	
350FR	3RU Portable Multiframe which holds up to 7 single slot modules
7700FR-C	3RU Multiframe which holds up to 15 single slot modules
7800FR	3RU Multiframe which holds up to 15 single slot modules
7701FR	1RU Multiframe which holds up to 3 single or dual slot modules
S7701FR	Standalone Enclosure

Ordering Options Rear Plate and Fiber Connector must be specified at time of order
 Eg: Model +SC +3RU

Rear Plate Suffix	
+3RU	3RU Rear Plate for use with 350FR, 7700FR-C or 7800FR Multiframe
+1RU	1RU Rear Plate for use with 7701FR Multiframe
+SA	Standalone Enclosure Rear Plate