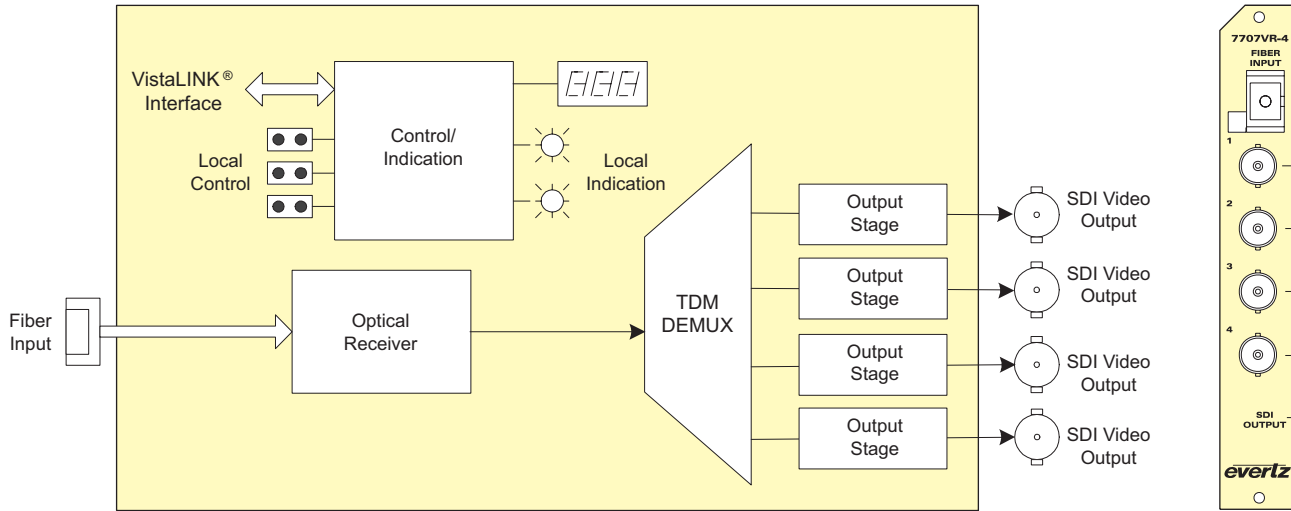


### ► Features & Benefits

- Single card demultiplexer for four synchronous or asynchronous 270Mb/s SDI, SDTi or DVB-ASI video signals
- Low jitter SDI outputs
- Independent signal outputs unaffected by loss of any other SDI or DVB-ASI input feed
- Transparently passes embedded AES or any other data in the horizontal or vertical ancillary data space
- Fully hot-swappable from front of frame with no fiber disconnect/reconnect required
- Supports single-mode and multi-mode fiber optic cable
- Accepts any wavelength in the 1270nm to 1610nm range
- SC/PC, ST/PC, FC/PC connector options
- Comprehensive signal and card status monitoring via four digit card edge display or remotely through SNMP and VistaLINK®
- Occupies one card slot and can be housed in either a 1RU frame which will hold up to 3 modules, a 3RU frame which will hold up to 15 modules, 3RU portable frame that holds up to 7 modules or a standalone frame which will hold 1 module
- VistaLINK® capability is available when modules are used with the 3RU 7800FR or 350FR frame and a 7700FC VistaLINK® Frame Controller module in slot 1 of the frame



### ► Specifications

<b>Optical Input:</b> Number of Inputs: 1 Connector: Female SC/PC, ST/PC, FC/PC Return Loss: > 25dB Operating Wavelength: 1270nm to 1610nm Maximum Input Power: Standard Version: -1dBm -H Version: -8dBm Optical Sensitivity: Standard Version: -23dBm -H Version: -28.5dBm	<b>Serial Video Outputs:</b> Standards: SMPTE 259M-C, SMPTE 305M, DVB-ASI Number of Outputs: 4 independent SDI, SDTi or DVB-ASI 270Mb/s signals Connector: 1 BNC per IEC 61169-8 Annex A Signal Level: 800mV nominal DC Offset: 0V ±0.5V Rise and Fall Time: 900ps nominal Overshoot: < 10% of amplitude Return Loss: > 15dB up to 270Mb/s Wide Band Jitter: < 0.2 UI	<b>Electrical:</b> Voltage: +12V DC Power: 10W EMI/RFI: Complies with FCC Part 15, Class A EU EMC directive  <b>Physical (number of slots):</b> 350FR: 1 7700FR-C: 1 7800FR: 1
--	--	--

### ► Ordering Information

<b>7707VR-4</b>	Quad SDI/ASI Demux Fiber Receiver, VistaLINK®
<b>7707VR-4-H</b>	Quad SDI/ASI Demux Fiber Receiver, High sensitivity RX VistaLINK®

**Ordering Options** Rear Plate and Fiber Connector must be specified at time of order  
 Eg: Model +SC +3RU

<b>Rear Plate Suffix</b>	
<b>+3RU</b>	3RU Rear Plate for use with 350FR, 7700FR-C or 7800FR Multiframe
<b>+1RU</b>	1RU Rear Plate for use with 7701FR Multiframe
<b>+SA</b>	Standalone Enclosure Rear Plate

<b>Connector Suffix</b>	
<b>+SC</b>	SC/PC
<b>+ST</b>	ST/PC
<b>+FC</b>	FC/PC

<b>Enclosures</b>	
<b>350FR</b>	3RU Portable Multiframe which holds up to 7 single slot modules
<b>7700FR-C</b>	3RU Multiframe which holds up to 15 single slot modules
<b>7800FR</b>	3RU Multiframe which holds up to 15 single slot modules
<b>7701FR</b>	1RU Multiframe which holds up to 3 single or dual slot modules
<b>S7701FR</b>	Standalone Enclosure