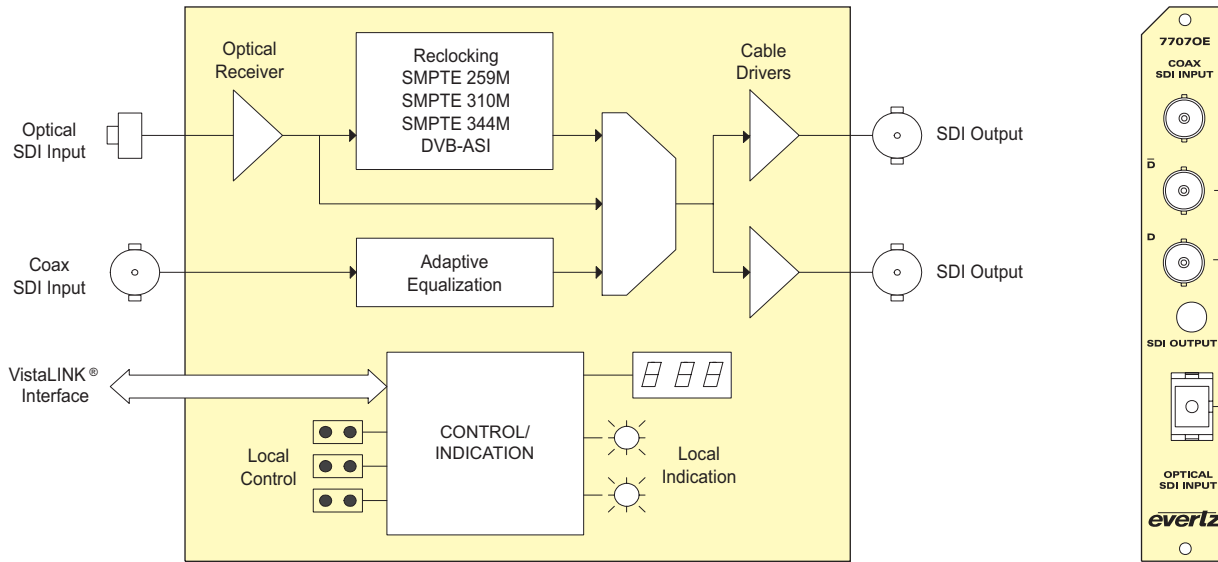


►Features & Benefits

- Optical to electrical converter for all SMPTE 259M standards with operation from 143Mb/s-360Mb/s
- Supports SMPTE 310M (19.4Mb/s), M2S, DVB-ASI (270Mb/s), SMPTE 344M (540Mb/s) and SMPTE 305M (SDTi) rates
- Detection and display of optical input power, video format and EDH errors
- Reclocked optical input, with selectable non-relocked mode
- Wide range optical input (1270nm to 1610nm)
- Supports multi-mode and single-mode fiber
- Redundant second SDI input for automatic failure switching applications
- Automatic input cable equalization to 275m at 270Mb/s (Belden 8281) on coaxial input
- Fully hot-swappable from front of frame
- Occupies one card slot and can be housed in either a 1RU frame which will hold up to 3 modules, a 3RU frame which will hold up to 15 modules, 3RU portable frame that holds up to 7 modules or a standalone frame which will hold 1 module
- Comprehensive signal and card status monitoring via four digit card edge display or remotely through SNMP and VistaLINK®
- VistaLINK® capability is available when modules are used with the 3RU 7800FR or 350FR frame and a 7700FC VistaLINK® Frame Controller module in slot 1 of the frame



►Specifications

Standards:
 Reclocked: SMPTE 259M A, B, C, D, SMPTE 297M, SMPTE 305M, SMPTE 310M, SMPTE 344M, M2S or DVB-ASI
 Non-Reclocked: Any bi-level signal type at rates of 19.4Mb/s to 540Mb/s

Optical Input:
 Connector: 1 Female SC/PC, ST/PC or FC/PC
 Wavelength: 1270nm to 1610nm
 Optical Sensitivity: -32dBm @ 270Mb/s
 Max. Input Power: 0dBm

Coaxial Input:
 Connector: 1 BNC per IEC 61169-8 Annex A
 Impedance: 75Ω (nominal)
 Equalization: Automatic to 275m @ 270Mb/s with Belden 8281 cable
 Return Loss: > 15dB to 540Mb/s

Serial Video Outputs:
 Number of Outputs: 2 per card (1 output DVB-ASI/M2S compliant)
 Connector: 1 BNC per IEC 61169-8 Annex A
 Impedance: 75Ω (nominal)
 Signal Level: 800mV nominal
 DC Offset: 0V ±0.5V
 Rise and Fall Time: 900ps nominal
 Overshoot: < 10% of amplitude
 Return Loss: > 15dB up to 540Mb/s
 Wide Band Jitter: < 0.20 UI

Electrical:
 Voltage: +12V DC
 Power: 6W
 EMI/RFI: Complies with FCC Part 15, Class A EU EMC Directive

Physical (number of slots):
 350FR: 1
 7700FR-C: 1
 7800FR: 1

►Transmitter Compatibility Chart:

MODEL #	SD-SDI/DVB-ASI	HD-SDI
2405/7705/7707EO	x	
2405/7705/7707EO-HD	x	
7705/7707EO-3	x	
7705/7707EO-3-HD	x	
7707ADVT	x	
7707ADVT-HD	x	
7707VAT-HD	x	

►Ordering Information

7707OE SDI Optical to Electrical Converter, 19.4Mb/s or 143-540Mb/s, VistaLINK® Monitoring

Ordering Options Rear Plate and Fiber Connector must be specified at time of order
 Eg: Model +SC +3RU

Rear Plate Suffix
+3RU 3RU Rear Plate for use with 350FR, 7700FR-C or 7800FR Multiframe
+1RU 1RU Rear Plate for use with 7701FR Multiframe
+SA Standalone Enclosure Rear Plate

Connector Suffix
+SC SC/PC
+ST ST/PC
+FC FC/PC

Fiber Optic Patch Cable
 See CWDM & DWDM Ordering Information Page

Enclosures
350FR 3RU Portable Multiframe which holds up to 7 single slot modules
7700FR-C 3RU Multiframe which holds up to 15 single slot modules
7800FR 3RU Multiframe which holds up to 15 single slot modules
7701FR 1RU Multiframe which holds up to 3 single or dual slot modules
S7701FR Standalone Enclosure

