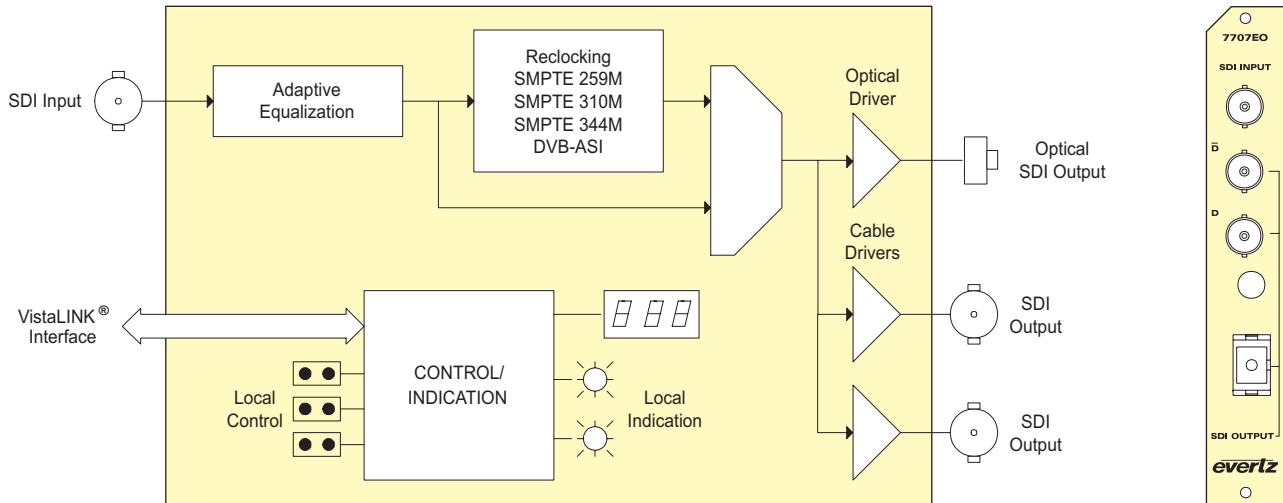


# 7707EO

## SDI Electrical to Optical Converter, 19.4Mb/s or 143-540Mb/s

### ►Features & Benefits

- Electrical to optical converter for all SMPTE 259M standards with operation from 143Mb/s-360Mb/s
- Supports SMPTE 310M (19.4Mb/s), M2S, DVB-ASI (270Mb/s), SMPTE 344M (540Mb/s) and SMPTE 305M (SDTi) rates
- Detection and display of input equalization, video format and EDH errors
- Automatic coaxial input equalization up to 275m at 270Mb/s (Belden 8281)
- Reclocked optical and electrical outputs
- Optical output wavelengths of 1310nm, 1550nm and up to sixteen CWDM wavelengths (ITU-T G.694.2 compliant)
- DWDM wavelengths (ITU-T G.694.1 compliant) also available
- Supports multi-mode and single-mode fiber
- Fully hot-swappable from front of frame
- Occupies one card slot and can be housed in either a 1RU frame which will hold up to 3 modules, a 3RU frame which will hold up to 15 modules, 350FR portable frame that holds up to 7 modules or a standalone frame which will hold 1 module
- Comprehensive signal and card status monitoring via four digit card edge display or remotely through SNMP and VistaLINK®
- VistaLINK® capability is available when modules are used with the 3RU 7800FR or 350FR portable frame and a 7700FC VistaLINK® Frame Controller module in slot 1 of the frame



### ►Specifications

<b>Standards:</b> Reclocked: SMPTE 259M A, B, C, D, SMPTE 297M, SMPTE 344M, SMPTE 310M, SMPTE 305M, M2S or DVB-ASI Non-Reclocked: Any bi-level signal type at rates of 19.4-540Mb/s	<b>Optical Output:</b> Standard: SMPTE 297M Connector: 1 Female SC/PC, ST/PC or FC/PC Return Loss: > 14dB Rise and Fall Time: 400-700ps Wide Band Jitter: < 0.2 UI Wavelengths: See Ordering Information Output Power: 1310nm FP: -7dBm ±1dBm 1550nm & CWDM: 0dBm ±1dBm DWDM DFB: 7dBm ±1dBm	<b>Compliance:</b> Laser Safety: Class 1 laser product Complies with 24 CFR 1040.10 and 1040.11 IEC 60825-1 EMI/RFI: Complies with FCC Part 15, Class A EU EMC directive																								
<b>Serial Video Input:</b> Connector: 1 BNC per IEC 61169-8 Annex A Equalization: Automatic up to 275m @ 270Mb/s with Belden 8281 (or equivalent cable) Return Loss: > 15dB up to 540Mb/s	<b>Electrical:</b> Voltage: +12V DC Power: 6W (Non-DWDM), 9W (DWDM)	<b>Receiver Compatibility Chart:</b> <table border="1"> <thead> <tr> <th>MODEL #</th> <th>SD-SDI</th> <th>HD-SDI</th> </tr> </thead> <tbody> <tr> <td>2405/7705/7707OE</td> <td>x</td> <td></td> </tr> <tr> <td>2405/7705/7707OE-HD</td> <td>x</td> <td></td> </tr> <tr> <td>7705/7707OE-3</td> <td>x</td> <td></td> </tr> <tr> <td>7705/7707OE-3-HD</td> <td>x</td> <td></td> </tr> <tr> <td>7707ADVR</td> <td>x</td> <td></td> </tr> <tr> <td>7707ADVR-HD</td> <td>x</td> <td></td> </tr> <tr> <td>7707VAR-HD</td> <td>x</td> <td></td> </tr> </tbody> </table>	MODEL #	SD-SDI	HD-SDI	2405/7705/7707OE	x		2405/7705/7707OE-HD	x		7705/7707OE-3	x		7705/7707OE-3-HD	x		7707ADVR	x		7707ADVR-HD	x		7707VAR-HD	x	
MODEL #	SD-SDI	HD-SDI																								
2405/7705/7707OE	x																									
2405/7705/7707OE-HD	x																									
7705/7707OE-3	x																									
7705/7707OE-3-HD	x																									
7707ADVR	x																									
7707ADVR-HD	x																									
7707VAR-HD	x																									
<b>Serial Video Output:</b> Number of Outputs: 2 per card (1 output DVB-ASI/M2S compliant) Connectors: 1 BNC per IEC 61169-8 Annex A Signal Level: 800mV nominal DC Offset: 0V ±0.5V Rise and Fall Time: 900ps nominal Overshoot: < 10% of amplitude Return Loss: > 15dB up to 270Mb/s Wide Band Jitter: < 0.2 UI	<b>Physical (number of slots):</b> 350FR: 1 7700FR-C: 1 7800FR: 1																									

### ►Ordering Information

<b>7707EO13</b>	SDI Electrical to Optical Converter 19.4Mb/s or 143-540Mb/s, 1310nm, FP Laser
<b>7707EO15</b>	SDI Electrical to Optical Converter 19.4Mb/s or 143-540Mb/s, 1550nm, DFB Laser
<i>For CWDM, please refer to the end of the fiber section for ordering information</i>	
<b>7707EOxxx</b>	SDI Electrical to Optical Converter 19.4Mb/s or 143-540Mb/s, CWDM DFB Laser
<i>For DWDM, please refer to the end of the fiber section for ordering information</i>	
<b>7707EODxxx</b>	SDI Electrical to Optical Converter, 19.4Mb/s or 143-540Mb/s, DWDM Laser, +7dBm

<b>Rear Plate Suffix</b>	
<b>+3RU</b>	3RU Rear Plate for use with 350FR, 7800FR or 7800FR Multiframe
<b>+1RU</b>	1RU Rear Plate for use with 7701FR Multiframe
<b>+SA</b>	Standalone Enclosure Rear Plate

<b>Connector Suffix</b>	
<b>+SC</b>	SC/PC
<b>+ST</b>	ST/PC
<b>+FC</b>	FC/PC

<b>Enclosures</b>	
<b>350FR</b>	3RU Portable Multiframe which holds up to 7 single slot modules
<b>7700FR-C</b>	3RU Multiframe which holds up to 15 single slot modules
<b>7800FR</b>	3RU Multiframe which holds up to 15 single slot modules
<b>7701FR</b>	1RU Multiframe which holds up to 3 single or dual slot modules
<b>S7701FR</b>	Standalone Enclosure

**Ordering Options** Rear Plate and Fiber Connector must be specified at time of order  
Eg: Model +SC +3RU