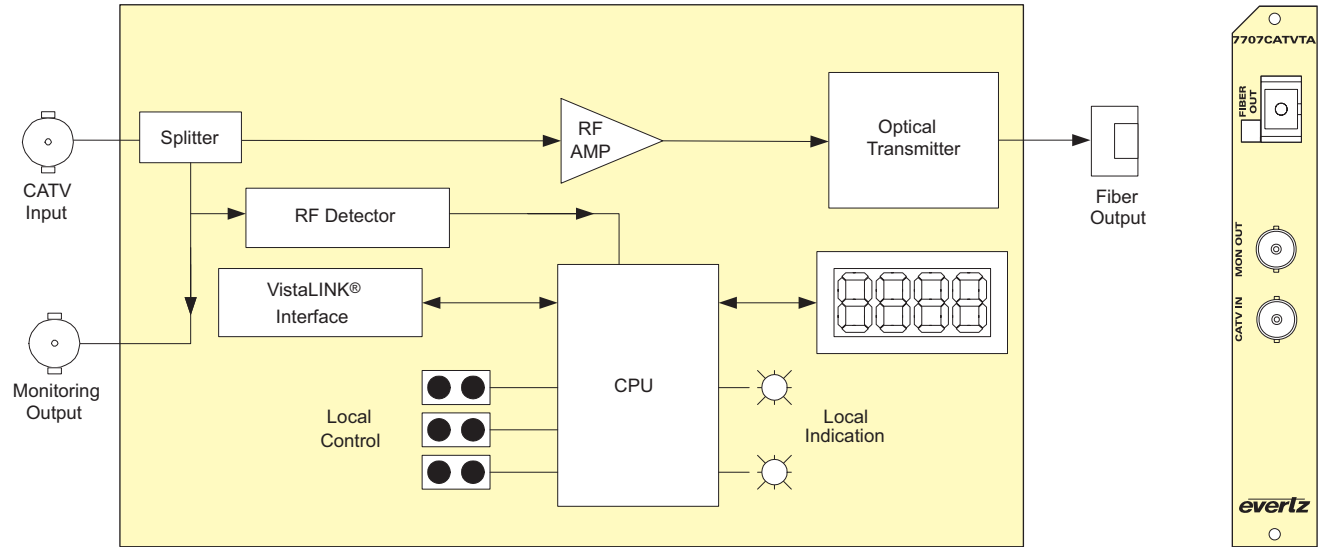


7707CATVTA

CATV Fiber Transmitter

►Features & Benefits

- 80/110 Channel PAL/NTSC CATV fiber optic transmitter
- 50-850MHz operational bandwidth
- Low CSO and CTB intermod products
- Supports single mode fiber
- Fully hot-swappable from front of frame
- Comprehensive signal and card status monitoring via four digit card edge display or remotely through SNMP and VistaLINK®
- VistaLINK® capability is available when modules are used with the 3RU 7800FR and 350FR portable frame and a 7700FC VistaLINK® Frame Controller module in slot 1 of the frame
- RF input power monitoring and alarm thresholds
- Two setting adjustable optical output power level
- Two optical output power versions available at 1310nm wavelength, +8dBm and +11dBm
- Occupies one card slot and can be housed in a 1RU frame that will hold up to 3 modules, a 3RU frame that will hold up to 15 modules, a 350FR portable frame that will hold up to 7 modules or a standalone enclosure which holds 1 module



►Specifications

CATV Input:

Number of Inputs: 1, 80/110 channel, PAL/NTSC CATV signal
 Bandwidth: 50-850MHz
 RF Drive Level/channel: 40dBmV/channel for full 80 PAL/110 NTSC channel load
 Connector: 1 F-Type (BNC optional)
 I/O Impedance: 75Ω
 Return Loss: > 18dB

Monitoring Output:

Number of Outputs: 1
 Connector: F-Type (BNC optional)
 I/O Impedance: 75Ω
 Signal Level: (Input) -25dB
 RF Flatness: ±1dB (50-850MHz)

Optical Output:

Connector: 1 SC/APC
 Operating Wavelength: 1310nm

Output Power:

110-8: +8dBm ±1dBm
 110-11: +11dBm ±1dBm
 Fiber Size: 9μm core/125μm overall

CATV Channel Performance (7707CATVTA & 7707CATVRA):

Flatness: ±1dB, (50-850MHz)*
 CNR: > 50dB*
 CSO: < -61dBc*
 CTB: < -65dBc*

* Measured with fully loaded CATV spectrum with 40dBmV/channel input to 7707CATVTA and 0dBm optical power input to 7707CATVRA with 0dB gain setting on 7707CATVRA

Electrical:

Voltage: +12V DC
 Power: 12W

Physical (number of slots):

350FR:
 7700FR-C: 1
 7800FR:

Compliance:

Electrical Safety: CSA Listed to UL 60065-03, IEC 60065
 Complies with CE Low voltage
 Laser Safety: Class 3b laser product
 Complies with 24 CFR 1040.10 and 1040.11 IEC 60825-1
 EMI/RFI: Complies with FCC Part 15, Class A
 EU EMC directive

►Ordering Information

7707CATVTA13-110-8

1310nm, DFB Laser, +8dBm output power, 80/110 channel PAL/NTSC

7707CATVTA13-110-11

1310nm, DFB Laser, +11dBm output power, 80/110 channel PAL/NTSC

Optical Connector Suffix

+AP+FC FC/APC (Angle Polished)
 +AP+SC SC/APC (Angle Polished)

RF Connector Suffix

+BNC BNC Connector

Ordering Options Rear Plate and Fiber Connector must be specified at time of order
 Eg. Model +3RU +SC

Rear Plate Suffix

+3RU 3RU Rear Plate for use with 350FR, 7700FR-C or 7800FR Multiframe
 +1RU 1RU Rear Plate for use with 7701FR Multiframe
 +SA Standalone Enclosure Rear Plate

Enclosures

350FR 3RU Portable Multiframe which holds up to 7 single slot modules
 7700FR-C 3RU Multiframe which holds up to 15 single slot modules
 7800FR 3RU Multiframe which holds up to 15 single slot modules
 7701FR 1RU Multiframe which holds up to 3 single or dual slot modules
 S7701FR Standalone Enclosure

Provided by: Mega Hertz 800-883-8839 sales@go2mhz.com www.go2mhz.com



The Complete Solution Provider

