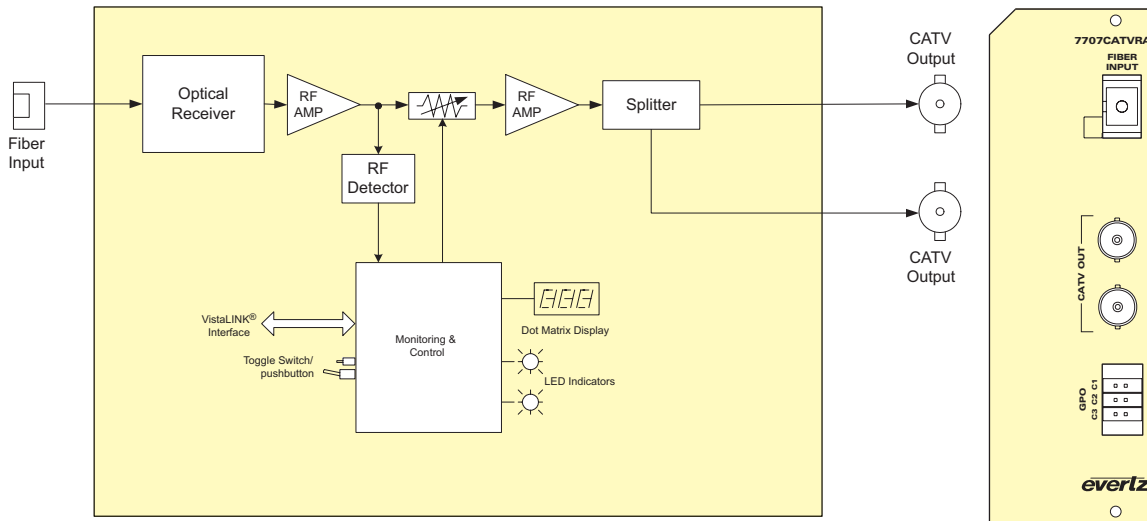




►Features & Benefits

- 80/110 Channel PAL/NTSC CATV fibre optic receiver
- 50-850MHz operational bandwidth
- Supports single mode fiber
- Low CSO and CTB intermod products
- Fully hot swappable from front of frame
- Provides up to 35km extension of CATV systems
- Comprehensive signal and card status monitoring via four digit card-edge display or remotely through SNMP and VistaLINK® capability
- Two RF outputs for extra signal distribution or monitoring functions
- Adjustable gain setting from -10dB to ±10dB in 1dB steps
- Optical power monitoring and alarm thresholds
- RF output power monitoring and alarm thresholds
- The 7707CATVRA occupies two card slots



►Specifications

Optical Input:		Electrical:	
Number of inputs:	1	Voltage:	+12V DC
Connector:	Female SC/APC, FC/APC	Power:	15W
Operating Wavelength:	1310nm	EMI/RFI:	Complies with FCC regulations for Class A devices
Max Optical Power:	+6dBm		Complies with EU EMC directive
Fiber Size:	9mm core / 12 mm overall	General Purpose Outputs:	
Optical Sensitivity:	Unity link (+/- 2dB) at 0dBm optical input	Number of Outputs:	3
		Type:	"Dry Contact" relay contacts - normally open and normally closed contact provided
		Connector:	6 pins on 6-pin terminal strip
CATV Output:		Physical (number of slots):	
Number of outputs:	2	350FR:	2
Connector:	F-Type (BNC optional)	7700FR-C:	2
I/O Impedance:	75Ω	7800FR:	2
Return Loss:	> 17dB		
Flatness:	±1dB* @ 50MHz - 850MHz		
Composite Second Order:	< - 61dB*		
Composite Triple Beat:	< - 65dB*		
Carrier to Noise:	> 50dB*		
Gain:	± 10dB in 1dB steps		

* Measured with input to CATVTA at +40dBmV / channel, fully loaded spectrum with 0dBm optical input power into CATVRA and 0dB gain setting on the CATVRA.

►Ordering Information

7707CATVRA	CATV Fiber Optic Receiver, 80/110 Channel PAL/NTSC
-------------------	--

RF Connector Suffix
+BNC BNC Connector

Ordering Options Rear Plate and Fiber Connector must be specified at time of order
 Eg. Model +3RU +SC

Enclosures
350FR 3RU Portable Multiframe which holds up to 7 single slot modules
7700FR-C 3RU Multiframe which holds up to 15 single slot modules
7800FR 3RU Multiframe which holds up to 15 single slot modules
7701FR 1RU Multiframe which holds up to 3 single or dual slot modules

Rear Plate Suffix
+3RU 3RU Rear Plate for use with 350FR, 7700FR-C or 7800FR Multiframe
+1RU 1RU Rear Plate for use with 7701FR Multiframe
+SA Standalone enclosure rear plate

Optical Connector Suffix
+AP+FC FC/APC (Angle Polished)
+AP+SC SC/APC (Angle Polished)