

7705EO

SDI Electrical to Optical Converter, 19.4Mb/s or 143-540Mb/s

►Features & Benefits

- Electrical to optical converter for all SMPTE 259M standards with operation from 143Mb/s-360Mb/s
- Supports additional standards of SMPTE 305M (SDTi) SMPTE 310M (19.4Mb/s), SMPTE 344M (540Mb/s), M2S and DVB-ASI (270Mb/s)
- Compatible with multi-mode or single-mode fiber
- Fully hot-swappable from front of frame with no fiber or BNC disconnect/reconnect require
- Occupies one card slot and can be housed in either a 1RU frame which will hold up to 3 modules, a 3RU frame which will hold up to 15 modules, 350FR portable frame that holds up to 7 modules or a standalone frame which will hold 1 module
- Comprehensive signal and card status monitoring via four digit card edge display

Input

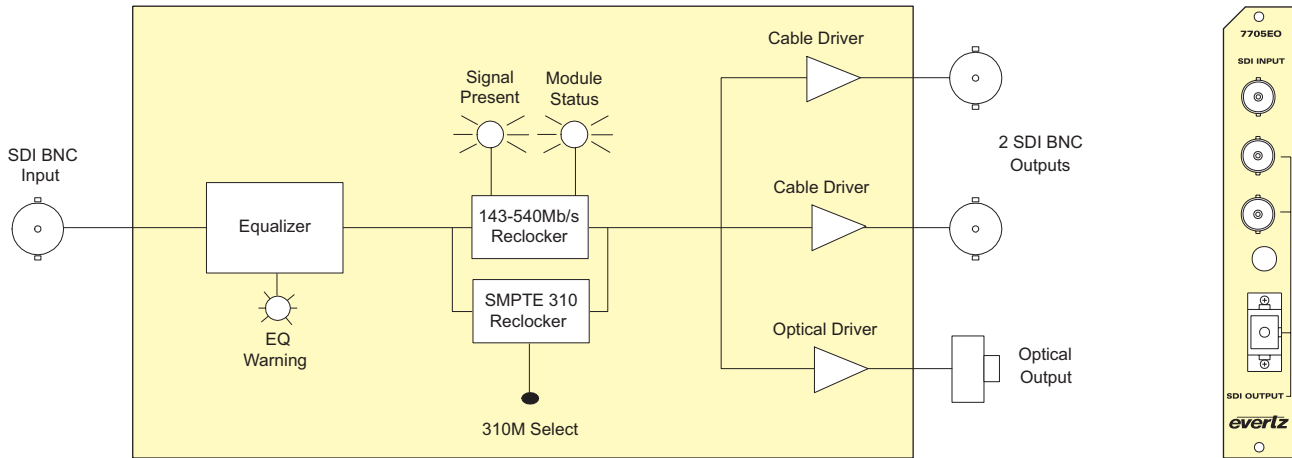
- Automatic input cable equalization to > 300m @ 270Mb/s (Belden 8281)

Outputs

- Two reclocked serial digital BNC outputs for loop-through or monitoring
- One reclocked fiber output available in 1310nm or 1550nm
- Wideband Jitter < 0.2 UI
- SC/PC, ST/PC, FC/PC connector options

Status LEDs

- Signal presence indication
- Maximum equalization warning indication
- Module status indication



►Specifications

Standards: SMPTE 259M A, B, C, D, SMPTE 297M, SMPTE 305M, SMPTE 310M, SMPTE 344M, M2S, DVB-ASI

Serial Video Input:

Connector: 1 BNC per IEC 61169-8 Annex A
Equalization: Automatic to 300m @ 270Mb/s with Belden 8281 (or equivalent)
Return Loss: > 15dB up to 540Mb/s

Serial Video Outputs:

Number of Outputs: 2 per card-reclocked
Connector: 1 BNC per IEC 61169-8 Annex A
Signal Level: 800mV nominal
DC Offset: 0V ±0.5V
Rise and Fall Time: 900ps nominal
Overshoot: < 10% of amplitude
Return Loss: > 15dB up to 540Mb/s
Wideband Jitter: < 0.2 UI

Optical Outputs:

Number of Outputs: 1
Connector: SC/PC, ST/PC, FC/PC female housing
Return Loss: > 14dB
Wavelength: 1310nm, 1550nm

Optical Power:

1310nm FP: -7dBm ±1dBm
 1550nm DFB: 0dBm ±1dBm

Electrical:

Voltage: +12V DC
Power: 6W

Physical (number of slots):

350FR: 1
 7700FR-C: 1
 7800FR: 1

Compliance:

Laser Safety: Class 1 laser product
 Complies with 24 CFR 1040.10 and 1040.11
 IEC 60825-1
EMI/RFI: Complies with FCC Part 15, Class A
 EU EMC directive

Receiver Compatibility Chart:

MODEL #	SD-SDI	HD-SDI
2405/7705/7707OE	x	
2405/7705/7707OE-HD	x	
7705/7707OE-3	x	
7705/7707OE-3-HD	x	
7707ADVR	x	
7707ADVR-HD	x	
7707VAR-HD	x	

►Ordering Information

7705EO13	SDI Electrical to Optical Converter, 19.4Mb/s or 143-540Mb/s, 1310nm, FP Laser
7705EO15	SDI Electrical to Optical Converter, 19.4Mb/s or 143-540Mb/s, 1550nm, DFB Laser

Connector Suffix

+SC	SC/PC
+ST	ST/PC
+FC	FC/PC

Enclosures

350FR	3RU Portable Multiframe which holds up to 7 single slot modules
7700FR-C	3RU Multiframe which holds up to 15 single slot modules
7800FR	3RU Multiframe which holds up to 15 single slot modules
7701FR	1RU Multiframe which holds up to 3 single or dual slot modules
S7701FR	Standalone Enclosure

Ordering Options

Rear Plate and Fiber Connector must be specified at time of order
 Eg: Model +SC +3RU

Rear Plate Suffix

+3RU	3RU Rear Plate for use with 350FR, 7700FR-C or 7800FR Multiframe
+1RU	1RU Rear Plate for use with 7701FR Multiframe
+SA	Standalone Enclosure Rear Plate