

7700DA, 7700DA-N

143-540Mb/s, DVB-ASI, SMPTE 310M, M2S Reclocking Distribution Amplifier

The Evertz 7700 series Distribution Amplifiers provide inexpensive distribution of your serial digital video signal at rates of 19.4Mb/s and 143Mb/s to 540Mb/s. The 7700DA features an auto-equalized input with four reclocked outputs. The 7700DA-N offers an auto-equalized input with four non-reclocked outputs.

They both have been designed for use as a SMPTE 310M (19.4Mb/s), DVB-ASI, M2S or SMPTE 259M distribution product. SMPTE 310M support is selected by setting a rate select jumper (for 7700DA only).

Features & Benefits

- Mode to run SMPTE 310M DA (nominal 19.4Mb/s with reclocking)
- Supports up to 540Mb/s operation
- DVB-ASI compatible
- Tally output upon loss of signal for quality monitoring
- Features independent output drivers to ensure no cross channel loading effects (i.e. no need to terminate unused outputs)

Input

- SMPTE 259M (143Mb/s to 540Mb/s), DVB-ASI, M2S, SMPTE 310M (19.4Mb/s)
- Return loss > 15dB up to 540Mb/s
- 300m auto equalization at 270Mb/s (Belden 8281)
- 210m auto equalization at 540Mb/s (Belden 8281)

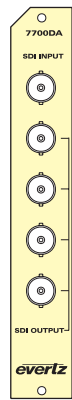
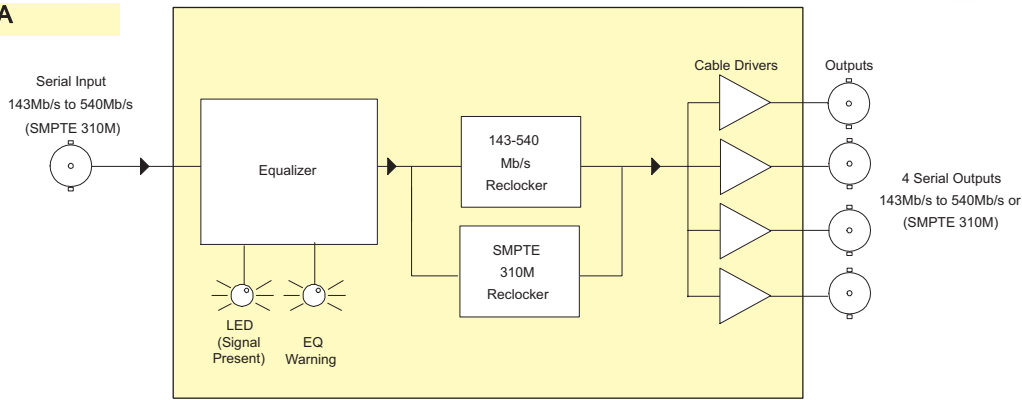
Outputs

- 4 reclocked outputs (7700DA)
- 4 non-reclocked outputs (7700DA-N)
- Return loss > 15dB up to 540Mb/s
- Wideband jitter < 0.2 UI

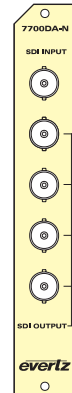
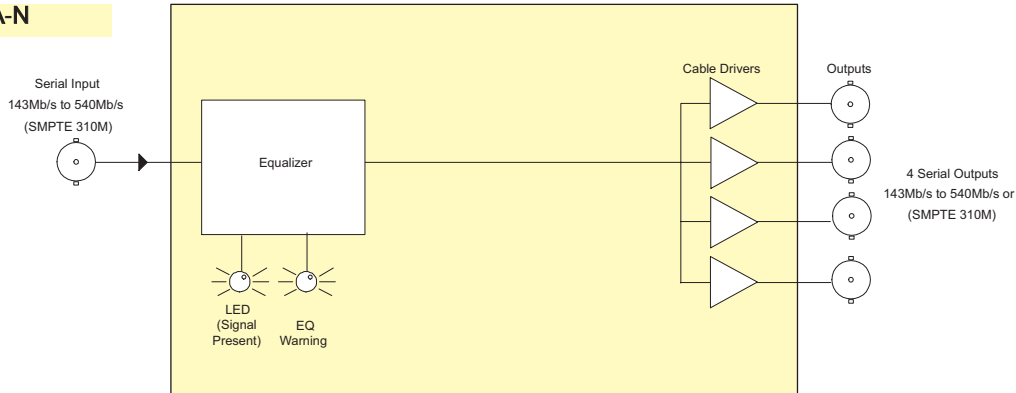
Card Edge LEDs

- Signal presence
- Max. Equalization Warning
- Module Health Status

7700DA



7700DA-N



Specifications

Serial Video Input:

Standard: SMPTE 259M A, B, C, D, DVB-ASI, M2S, SMPTE 310M (19.4Mb/s -jumper selected)

Connector: BNC per IEC 60169-8 Amendment 2

Equalization: Automatic to 300m @ 270Mb/s with Belden 8281 (or equivalent)

Return Loss: > 15dB up to 540Mb/s

Serial Video Output:

Number of Outputs: 4 per card reclocked (7700DA)
4 per card non-reclocked (7700DA-N)

Connector: BNC per IEC 60169-8 Amendment 2

Signal Level: 800mV nominal

DC Offset: 0V ±0.5V

Rise and Fall Time: 740ps nominal

Overshoot: < 10% of amplitude

Return Loss: > 15dB up to 540Mb/s

Wideband Jitter: < 0.2 UI

Physical:

Number of Slots: 1

Electrical:

Voltage: +12V DC

Power: 6W

EMI/RFI: Complies with FCC Part 15, Class A
EU EMC Directive

Ordering Information

7700DA 143-540Mb/s, DVB-ASI, SMPTE 310M, M2S Reclocking Distribution Amplifier (with 4 outputs)

7700DA-N 143-540Mb/s, DVB-ASI, SMPTE 310M, M2S Non-reclocking Distribution Amplifier (with 4 outputs)

Enclosures

7700FR-C

7701FR

S7701FR

3RU Multiframe which holds up to 15 single slot modules

1RU Multiframe which holds up to 3 single or dual slot modules

Standalone enclosure

Ordering Options

Rear Plate must be specified at time of order
Eg: Model +3RU

Rear Plate Suffix

+3RU 3RU Rear Plate for use with 7700FR-C Multiframe
+1RU 1RU Rear Plate for use with 7701FR Multiframe
+SA Standalone Enclosure Rear Plate

Distributed by: Mega Hertz 800-883-8839