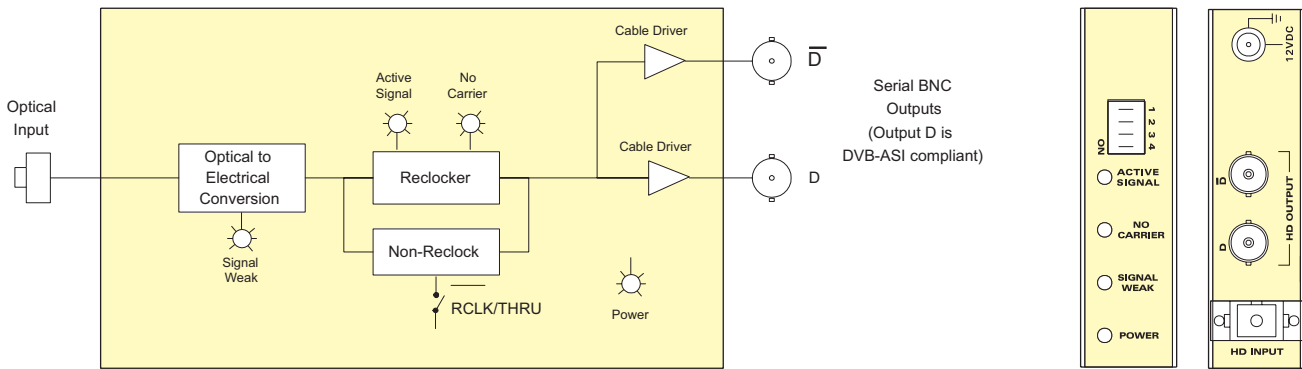




Features & Benefits

- Operation from 19.4Mb/s to 1.5Gb/s
- Reclocking for SMPTE 292M (1.48Gb/s)
- Non-reclocking for all other rates from 19.4Mb/s to 1.5Gb/s including SMPTE 259M, SMPTE 305M, SMPTE 310M, M2S and DVB-ASI
- Immunity to video Pathological signals
- Supports single-mode and multi-mode fiber optic cable
- Rugged, small form factor enclosure
- Low Power, +12V DC operation



*Note: Non-reclock Mode will operate 19.4Mb/s to 1.5Gb/s

Specifications

Standards	SMPTE 292M, 259M, 297M, 310M, M2S, DVB-ASI, and any bi-level Telecom/Datacom signal from 19.4Mb/s to 1.5Gb/s	Serial Video BNC Outputs	Physical
Optical Input	Number of Inputs: 1 Operating Wavelength: 1270nm to 1610nm Max. Input Power: -1dBm Optical Sensitivity: -23dBm Connector: SC/PC, ST/PC, FC/PC Female Housing	Number of Outputs: 2 (1 output DVB-ASI/M2S compliant) Connector: BNC per IEC 60169-8 Amendment 2 Signal Level: 800mV nominal DC Offset: 0V ±0.5V Rise, Fall Time: 270ps nominal Overshoot: < 10% of amplitude Return Loss: > 15dB up to 1.485GHz Wideband Jitter: < 0.2 UI	Dimensions: With Flanges: 6"L x 4"W x 1"H (152mm L x 114mm W x 25mm H) Weight: 0.5lbs (0.28kg)
			Electrical
			Voltage: +12V DC Power: 6W Safety: Complies with EU Safety Directive EMI/RFI: Complies with FCC Part 15, Class A EU EMC Directive

Ordering Information

24050E-HD HD Miniature Optical Receiver, 19.4Mb/s to 1.5Gb/s

Ordering Options Fiber Connector must be specified at time of order
Eg: Model +SC

Connector Suffix

+SC	SC/PC
+ST	ST/PC
+FC	FC/PC

Fiber Optic Patch Cable

CB-FP1M-SCPC	Single mode fiber cable, 1m, SC/PC male termination
CB-FP1M-STPC	Single mode fiber cable, 1m, ST/PC male termination
CB-FP5M-SCPC	Single mode fiber cable, 5m, SC/PC male termination
CB-FP5M-STPC	Single mode fiber cable, 5m, ST/PC male termination
CB-FP10M-SCPC	Single mode fiber cable, 10m, SC/PC male termination
CB-FP10M-STPC	Single mode fiber cable, 10m, ST/PC male termination