

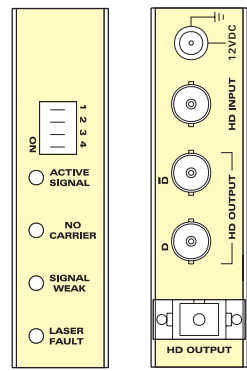
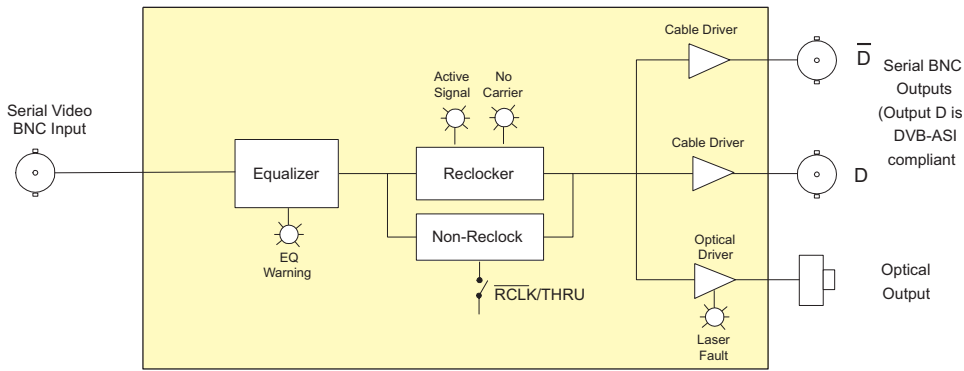
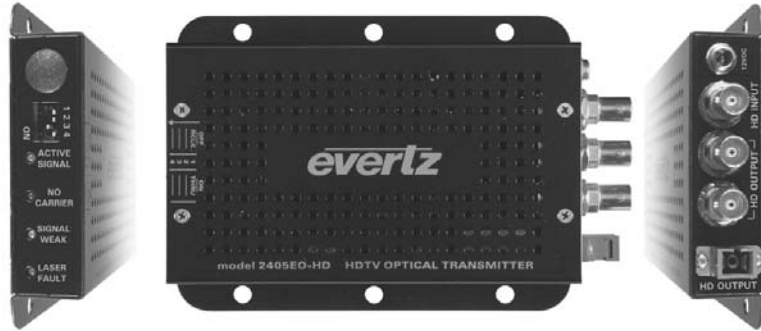
2405EO-HD

HDTV Miniature Optical Transmitter, 19.4Mb/s to 1.5Gb/s



Features & Benefits

- Operation from 19.4Mb/s to 1.5Gb/s
 - Reclocking for SMPTE 292M (1.485Gb/s)
 - Non-reclocking for all other rates from 19.4Mb/s to 1.5Gb/s including SMPTE 259M, SMPTE 305M, SMPTE 310M, M2S and DVB-ASI
- Available in 1310nm, 1550nm, and up to sixteen different CWDM wavelengths (ITU-T G.694.2 compliant)
- Automatic laser shutdown on absence of input signal for extended laser life
- Supports single-mode and multi-mode fiber optic cable
- Immunity to video Pathological signals
- Rugged, small form factor enclosure
- Low Power, +12V DC operation



Specifications

<p>Standards SMPTE 292M, 259M, 297M, 310M, M2S, DVB-ASI, and any bi-level Telecom/Datacom signal from 19.4Mb/s to 1.5Gb/s</p> <p>Serial Video BNC Input Number of Inputs: 1 Connector: BNC per IEC 60169-8 Amendment 2 Equalization: Automatic to 125m @ 1.485Gb/s with Belden 1694A (or equivalent) Return Loss: > 15dB up to 1.485GHz</p> <p>Serial Video BNC Output Number of Outputs: 2 (1 output DVB-ASI/M2S compliant) Connector: BNC per IEC 60169-8 Amendment 2 Signal Level: 800mV nominal DC Offset: 0V ±0.5V Rise, Fall Time: 270ps nominal Overshoot: < 10% of amplitude Return Loss: > 15dB up to 1.485GHz Wideband Jitter: < 0.2 UI</p>	<p>Optical Output Number of Outputs: 1 Connector: SC/PC, ST/PC, FC/PC Female Housing Return Loss: > 14dB Rise, Fall Time: 200ps nominal Jitter: < 0.2 UI reclocked Nominal Wavelength: Standard: 1310nm, 1550nm CWDM: 1270nm-1610nm (See Ordering Info)</p> <p>Optical Power 1310nm FP: -7dBm ±1dBm 1310nm/1550nm DFB: 0 dBm ±1dBm CWDM DFB: 0 dBm ±1dBm</p> <p>Physical Dimensions: With Flanges: 6"L x 4"W x 1"H (152mm L x 114mm W x 25mm H) Weight: 0.5lbs (0.28kg)</p>	<p>Electrical Voltage: +12V DC Power: 6W Safety: Complies with EU Safety Directive Complies with FCC Part 15, Class A EMI/RFI: Complies with EU EMC Directive</p>
--	--	--

Ordering Information

- 2405EO3F-HD** HD Miniature Optical Transmitter 1310nm, FP Laser
- 2405EO3D-HD** HD Miniature Optical Transmitter 1310nm, DFB Laser
- 2405EO5D-HD** HD Miniature Optical Transmitter 1550nm, DFB Laser

For CWDM, please refer to the end of the fiber section for ordering information
2405EOxx-HD HD Miniature Optical Transmitter CWDM DFB Laser

All 2405 modules include power supply

Ordering Options Fiber Connector must be specified at time of order
 Eg: Model +SC

Connector Suffix
 +SC SC/PC
 +ST ST/PC
 +FC FC/PC

Distributed by: **Mega Hertz**
 800-883-8839
 sales@megahz.com
 www.megahz.com

Fiber Optic Patch Cable
CB-FP1M-SCPC Single mode fiber cable, 1m, SC/PC male termination
CB-FP1M-STPC Single mode fiber cable, 1m, ST/PC male termination
CB-FP5M-SCPC Single mode fiber cable, 5m, SC/PC male termination
CB-FP5M-STPC Single mode fiber cable, 5m, ST/PC male termination
CB-FP10M-SCPC Single mode fiber cable, 10m, SC/PC male termination
CB-FP10M-STPC Single mode fiber cable, 10m, ST/PC male termination

