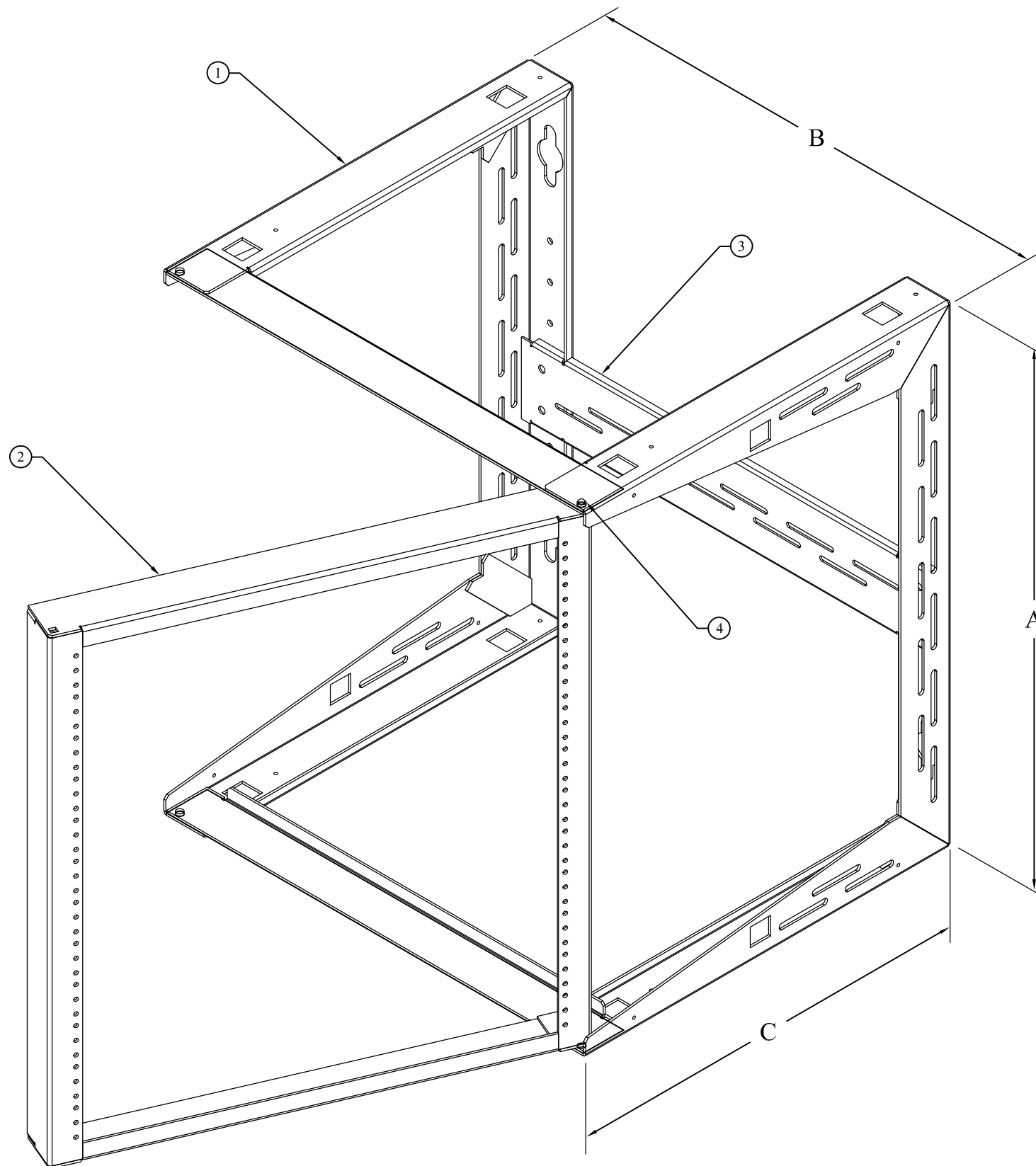


DWG. NO. 106060		SHEET 1	REV.	1
REVISIONS				
ZONE	REV.	DESCRIPTION	DATE	APPROVED
		INITIAL RELEASE	05/23/08	



DOOR	"A" DIM	"B" DIM	"C" DIM
-01	23.25	20.75	18.00
-02	XX.XX	XX.XX	XX.XX
-03	XX.XX	XX.XX	XX.XX
-04	XX.XX	XX.XX	XX.XX
-05	XX.XX	XX.XX	XX.XX

QTY REQ'D	FSCM NO.	PART OR IDENTIFYING NO.	NOMENCLATURE OR DESCRIPTION	MATERIAL SPECIFICATION	ITEM
2		212-P8-0196	BUSHING	NYLON	4
1		106060-300	REAR BRACKET	14 GA CRS	3
1		106060-200	DOOR	12 GA CRS	2
1		106060-100	RACK	12 GA CRS	1

**ISOMETRIC VIEW**

Distributed by: Mega Hertz 800-883-8839 sales@go2mhz.com www.go2mhz.com

UNLESS OTHERWISE SPECIFIED DIMENSIONS ARE IN INCHES TOLERANCES ARE: FRACTIONS DECIMALS ANGLES ± 1/16" .XX ± .03 ± 1° .XXX ± .015		ACAD DWG NO. <b>106060</b>	CALIFORNIA CHASSIS, INC. 3356 E. LA PALMA AVENUE ANAHEIM, CALIFORNIA 92806 (714) 666-8511 FAX (714) 666-8509
NEXT ASSY	USED ON	MATERIAL: 12 GA CRS	APPROVALS DRAWN H. MEDINA 05/23/08 CHECKED RAUDEL M. 05/23/08 ISSUED
APPLICATION		FINISH: SEE ORDER	DATE
DO NOT SCALE DRAWING		SIZE: D 00675	DWG. NO. 106060
		SCALE: NONE	REV.
		SHEET: 1 OF 1	